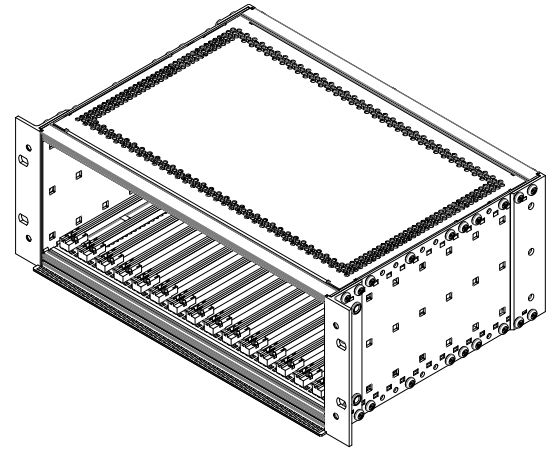


RV-RC0xx

19" subrack

- Rugged, shielded design
- RAVA backplane
- 10, 15 or 21 plugin slots
- Power supply redundancy support
- Control systems redundancy support
- Design according to EN 50155



TECHNICAL DATA

RAVA backplane		
Number of slots:	RV-RC010	10
	RV-RC015	15
	RV-RC021	21
Power supply redundancy support	Up to 2 power supplies in defined positions within the subrack *)	
Control systems redundancy support	Ano	
Others		
Ingress protection rating **)	IP20	
Operating temperature range	-40 °C to +70 °C	
Storage temperature range	-40 °C to +70 °C	
Maximum ambient humidity	< 95 %, non-condensing	
Mechanics	Aluminium	
Mounting	4 × M6 hole	
Weight:	RV-RC010	1.80 kg
	RV-RC015	2.50 kg
	RV-RC021	3.20 kg
Dimensions in standard units (w × h) ***):	RV-RC010	42 HP × 3 U
	RV-RC015	63 HP × 3 U
	RV-RC021	84 HP × 3 U
Dimensions (w × h × d):	RV-RC010	(270 × 133 × 251) mm
	RV-RC015	(376 × 133 × 251) mm
	RV-RC021	(483 × 133 × 251) mm

*) See Operation manual rv-rc0xx_g_en_xxx.pdf

***) When mounting rules are met, according to operation manual rv-rc0xx_g_en_xxx.pdf

***) 1 HP (horizontal pitch) = 0.2 inch (5.08 mm)
1 U (rack unit) = 1.75 inch (44.45 mm)

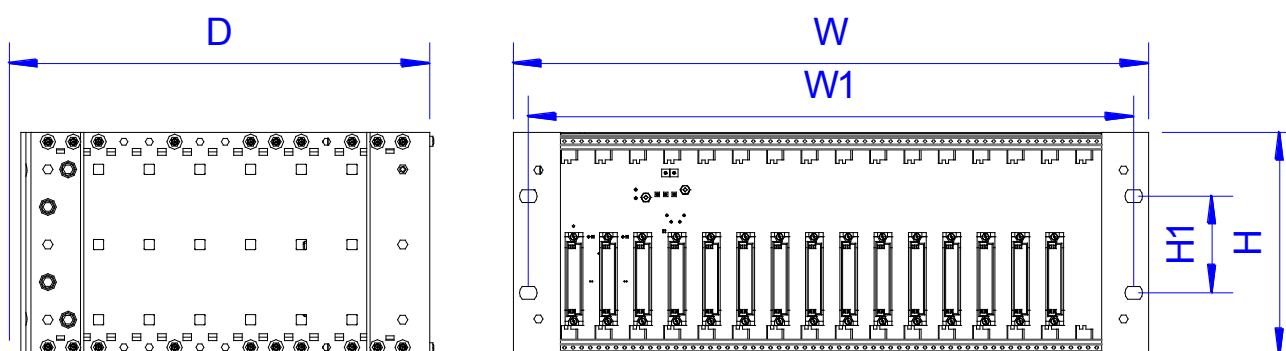
ORDERING INFORMATION

RV-RC010	19" Subrack with 10 plugin slots, Routine testing protocol, Insulation testing protocol, Warranty certificate, Operation manual
RV-RC015	19" Subrack with 15 plugin slots, Routine testing protocol, Insulation testing protocol, Warranty certificate, Operation manual
RV-RC021	19" Subrack with 21 plugin slots, Routine testing protocol, Insulation testing protocol, Warranty certificate, Operation manual

BLINDS

PAN RV-3HPB	Blind 3 HP
PAN RV-4HPB	Blind 4 HP
PAN RV-6HPB	Blind 6 HP
PAN RV-7HPB	Blind 7 HP
PAN RV-8HPB	Blind 8 HP

SUBRACK DIMENSIONS



Type	W [mm]	W1 [mm]	H [mm]	H1 [mm]	D [mm]
RV-RC010	270	252	133	57	251
RV-RC015	376	358	133	57	251
RV-RC021	483	465	133	57	251