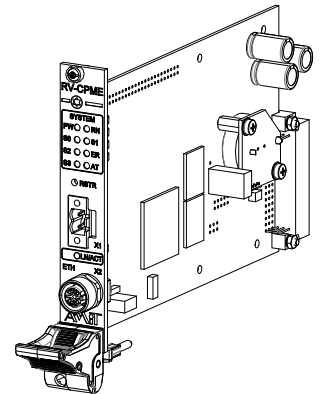


RV-CPME/1001

Central control unit

- Ethernet 10/100 Mbps, connector M12
- CPU redundancy support
- Power supply redundancy support
- External Shutdown input
- Internal communication interface RAVA BUS
- Mounting to 19" subrack RV-RC0xx
- Design according to EN 50155:2007



TECHNICAL DATA

Ethernet interface	1 ×
Communication rate	10 / 100 Mbps
Galv. sep. /insulation strength ¹⁾	Yes, 1 kV AC / 1 minute
Connection point	M12 connector, 4 pins, D-coding
Current / maximum power consumption	Internal 24 V DC from subrack 100 mA
External Shutdown input	1 ×
Range	0 V DC to 30 V DC
Log. 0 max. voltage	12 V DC
Log. 1 min. voltage	15 V DC
Galv. sep. /insulation strength ¹⁾	Yes, 1 kV AC / 1 minute
Others	
Mechanics	Subrack RV-RC0xx plug-in card
Number of occupied positions in subrack	1
Ingress protection rate	IP20 (when installed)
Operating temperature range	-40 °C to +70 °C
Storage temperature range	-40 °C to +70 °C
Maximum ambient humidity	< 95 %, non-condensing
Weight	175 g
Dimensions in standard units (w × h) ²⁾	4 HP × 3 U
Dimensions (w × h × d)	(20 × 130 × 208) mm
Programming	TrolStudio

¹⁾ Isolation may not be used for dangerous voltage separation!

²⁾ 1 HP (horizontal pitch) = 0.2 inch (5.08 mm)

1 U (rack unit) = 1.75 inch (44.45 mm)

ORDERING INFORMATION

RV-CPME/1001	Control unit, Certificate of product quality and completeness, production test report, insulation test report
M12M04D-MC/A	M12 connector counterpart, plug
MVSTBR2.5/2	External shutdown input connector counterpart

LED MEANING

Name	Description	Meaning
PW	Card internal power supply indication	Lights – Card power supply is OK
RN	Application state	See manual rv-cpmc1x01_g_en_xxx
AT	Application state	
ER	Error states	
S0	User LED	
S1	User LED	
S2	User LED	
S3	User LED	
LN/ACT	Ethernet state	Off – Ethernet is inactive On – Ethernet connected Blinks – communication In progress

THE RESTORE BUTTON

“RESTORE” button on the front panel is used to restore factory setting. For detailed information see manual rv-cpmc1x01_g_en_xxx.

TERMINAL'S IDENTIFICATION

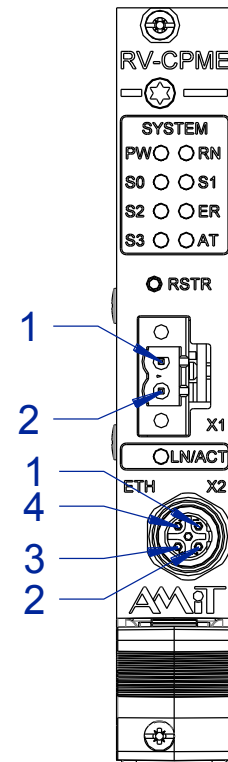
Connector	Meaning
X1	External shutdown of the unit
X2	Ethernet

CONNECTOR X1

Terminal	Label	Meaning
1	EXT_SHDWN_H	External shutdown, positive pole
2	EXT_SHDWN_L	External shutdown, negative pole

CONNECTOR X2

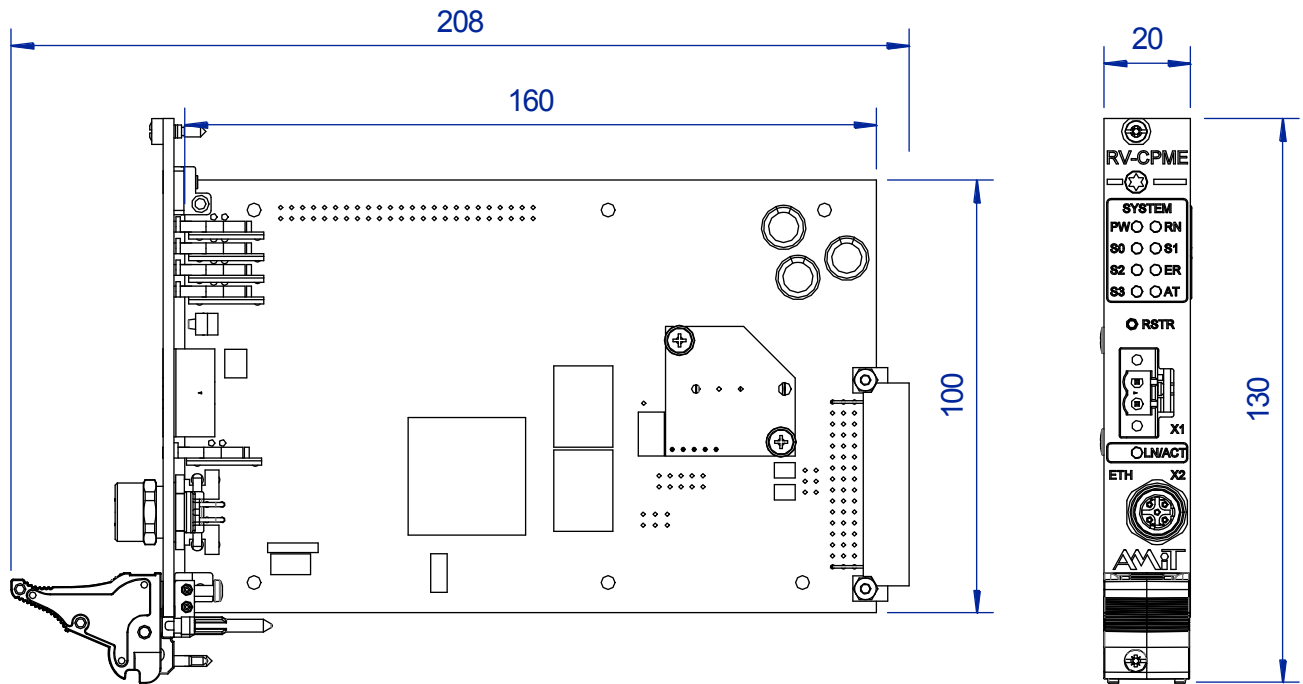
Terminal	Meaning
1	Tx+
2	Rx+
3	Tx-
4	Rx-



RV-CPME/1001

Central control unit

CARD DIMENSIONS



Data provided in this datasheet are only informative. Detailed information can be found in operational manual ([rv-cpmc1x01_g_en_xxx.pdf](#)). Documentation and examples can be downloaded from www.amit-transportation.cz web site.