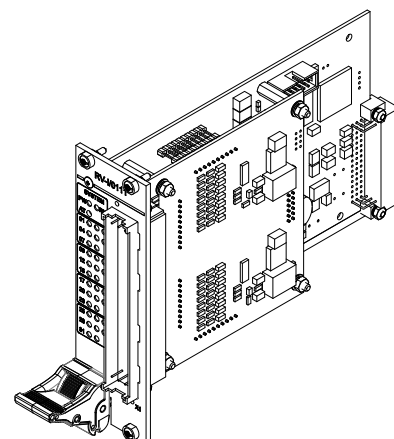


RV-I/011x

32 digital inputs

- 32 × digital inputs 24 V DC / 48 V DC / 110 V DC
- Galvanically separated groups
- Fritting support
- Internal communication interface RAVA BUS
- Mounting to 19" subrack RV-RC0xx
- Design according EN 50155:2007



TECHNICAL DATA

Digital inputs	32 ×
Number of galvanically separated groups	4 ×
Number of signals in group	8 ×
Input voltage range	
RV-I/0111	0 V DC to 30 V DC
RV-I/0115	0 V DC to 60 V DC
RV-I/0118	0 V DC to 140 V DC
Maximum level of input voltage for Log. 0	
RV-I/0111	12.2 V DC
RV-I/0115	14.7 V DC
RV-I/0118	16.8 V DC
Minimum level of input voltage for Log. 1	
RV-I/0111	15.9 V DC
RV-I/0115	19.1 V DC
RV-I/0118	21.8 V DC
Galv. separation/ insulation strength	Yes, 1000 V AC / 1 minute ¹⁾
Indication	32 × LED on front panel
Connection point	DIN 41612, 48 pins, type F
Current / maximum power consumption	Internal 24 V DC from subrack / 160 mA
Others	
Mechanics	Subrack RV-RC0xx plug-in card
Number of occupied subrack positions	2
Ingress protection rate	IP20 (when installed)
Operating temperature range	-40 °C to +70 °C
Storage temperature range	-40 °C to +70 °C
Maximum ambient humidity	< 95 %, non-condensing
Weight	0.23 kg
Dimensions in standard units (w × h) ²⁾	8 HP × 3 U
Dimensions (w × h × d)	(230 × 130 × 40) mm

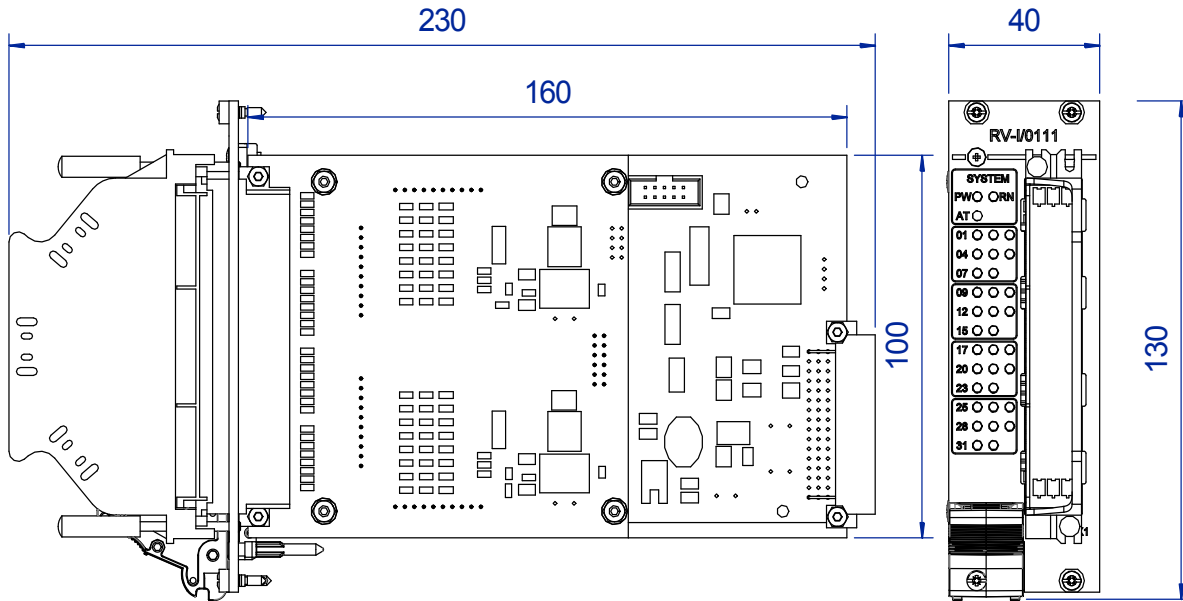
¹⁾ Insulation must not be used for dangerous voltage separation.

²⁾ 1 HP (horizontal pitch) = 0.2 inch (5.08 mm)
1 U (rack unit) = 1.75 inch (44.45 mm)

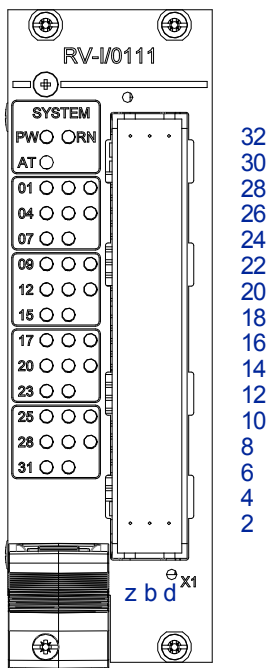
ORDERING INFORMATION

RV-I/0111	Plug-in card, certificate of product quality and completeness, routine test protocol, insulation test protocol
RV-I/0115	Plug-in card, certificate of product quality and completeness, routine test protocol, insulation test protocol
RV-I/0118	Plug-in card, certificate of product quality and completeness, routine test protocol, insulation test protocol
09062483201	Cable connector DIN41612, type F
09060009957	Connector holder
09060008482	Crimping pins for 0.5 mm ² to 1.5 mm ² cable (1 piece)

CARD DIMENSIONS



CONNECTOR PINOUT



X1	z	b	d
2	DI32	GND25_32	DI31
4	DI30	GND25_32	DI29
6	DI28	GND25_32	DI27
8	DI26	GND25_32	DI25
10	DI24	GND17_24	DI23
12	DI22	GND17_24	DI21
14	DI20	GND17_24	DI19
16	DI18	GND17_24	DI17
18	DI16	GND09_16	DI15
20	DI14	GND09_16	DI13
22	DI12	GND09_16	DI11
24	DI10	GND09_16	DI09
26	DI08	GND01_08	DI07
28	DI06	GND01_08	DI05
30	DI04	GND01_08	DI03
32	DI02	GND01_08	DI01

Data provided in this datasheet are only informative. Detailed information can be found in operational manual ([rv-i011x_g_en_xxx.pdf](#)). Documentation can be downloaded from www.amit-transportation.com.