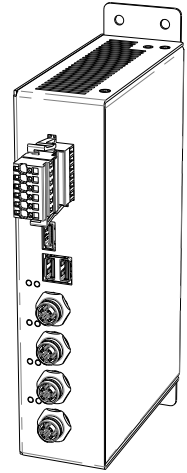


RB-RTE040/00A

Ethernet router for Rolling Stock

- 2 × 1 Gbps ETB
- 2 × 1 Gbps ECN
- ETB bypass function
- Connection through M12 connectors, X-coded
- Power supply 24 V / 36 V DC
- Design according to EN 50155



TECHNICAL DATA

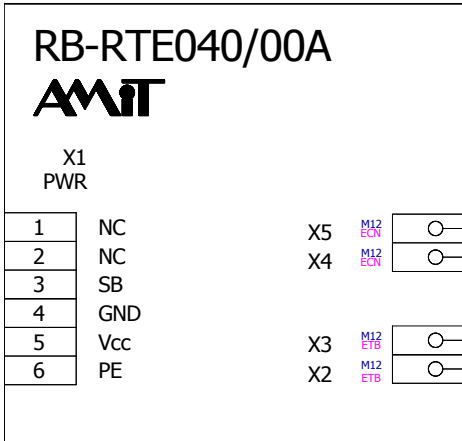
Ethernet	
Number of ports ETB	2 with bypass function
Number of ports ECN	2
Communication rate	1 Gbps
Connection point	4 × connector M12 8-pin X-coded
Galvanic isolation	Yes
Isolation strength	1000 V AC / 1 minute *)
Power supply voltage	16.8 V to 50.4 V DC
Power consumption	Max. 0.6 A at 24 V DC
Connection point	Connector WAGO 769-666/003-000
Mate connector	WAGO 769-106/021-000
Cover	Steel cover, RAL 9005, IP20
Operating temperature	-40 °C to 70 °C
Storage temperature	-40 °C to 70 °C
Maximum ambient humidity	< 90 % non-condensing
Mounting	4 × hole ø 6 mm
Weight	1.88 kg
Dimensions (w × h × d)	(55 × 260 × 181) mm

*) Isolation may not be used for dangerous voltage separation.

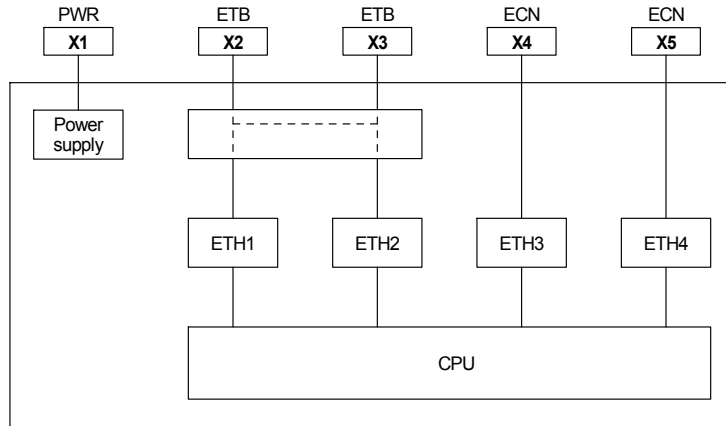
ORDERING INFORMATION

RB-RTE040/00A	Ethernet router, Power supply connector counterpart, Certificate of product quality and completeness, Routine test report, Insulation test report.
----------------------	--

**RECOMMENDED DRAWING
SYMBOL**



BLOCK DIAGRAM



CONNECTORS SPECIFICATION

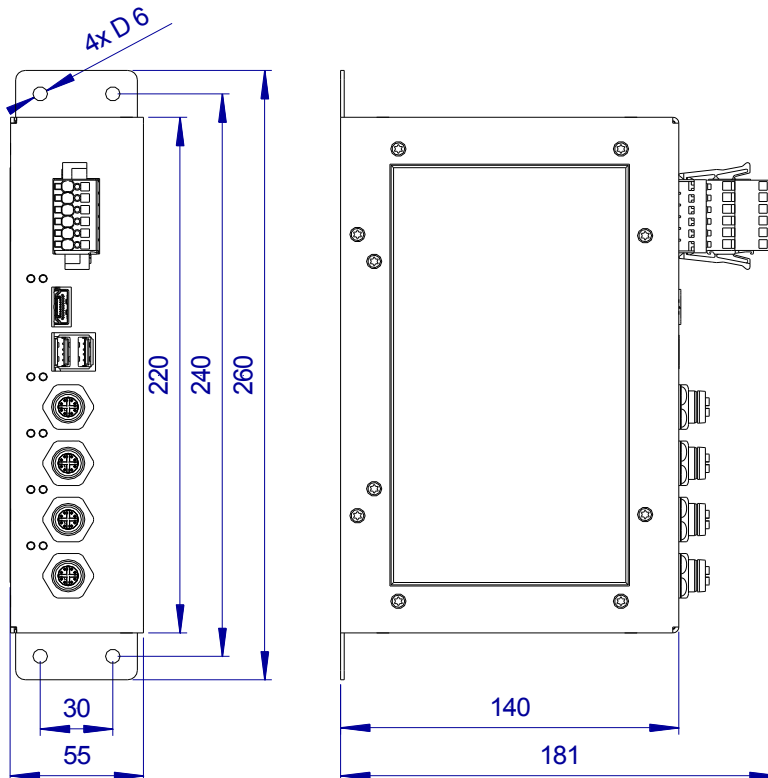
Connector	Description
X1	Power supply
X2, X3	Ethernet 1 Gbps ETB
X4, X5	Ethernet 1 Gbps ECN

CONNECTOR X1 (POWER SUPPLY)

PIN	Signal	Description
1	NC	Not connected
2	NC	Not connected
3	SB	Unit start-up control
4	GND	Power supply, negative pole
5	Vcc	Power supply, positive pole
6	PE	Unit chassis

MECHANICAL DIMENSIONS

All dimensions are in [mm].



Data provided in this datasheet are tentative.