

# ESP-WROOM-32D/ESP32-WROOM-32U

## Datasheet



**Espressif Systems**

December 18, 2017

# About This Guide

This document provides the specifications for the ESP-WROOM-32D and ESP32-WROOM-32U modules.

## Release Notes

Date	Version	Release notes
2017.11	V1.0	First release.

## Documentation Change Notification

Espressif provides email notifications to keep customers updated on changes to technical documentation. Please subscribe [here](#).

## Certification

Download certificates for Espressif products from [here](#).

## Disclaimer and Copyright Notice

Information in this document, including URL references, is subject to change without notice. THIS DOCUMENT IS PROVIDED AS IS WITH NO WARRANTIES WHATSOEVER, INCLUDING ANY WARRANTY OF MERCHANTABILITY, NON-INFRINGEMENT, FITNESS FOR ANY PARTICULAR PURPOSE, OR ANY WARRANTY OTHERWISE ARISING OUT OF ANY PROPOSAL, SPECIFICATION OR SAMPLE.

All liability, including liability for infringement of any proprietary rights, relating to use of information in this document is disclaimed. No licenses express or implied, by estoppel or otherwise, to any intellectual property rights are granted herein. The Wi-Fi Alliance Member logo is a trademark of the Wi-Fi Alliance. The Bluetooth logo is a registered trademark of Bluetooth SIG.

All trade names, trademarks and registered trademarks mentioned in this document are property of their respective owners, and are hereby acknowledged.

**Copyright © 2017 Espressif Inc. All rights reserved.**

# Contents

<b>1 Overview</b>	1
<b>2 Pin Definitions</b>	3
2.1 Pin Layout	3
2.2 Pin Description	3
2.3 Strapping Pins	5
<b>3 Functional Description</b>	7
3.1 CPU and Internal Memory	7
3.2 External Flash and SRAM	7
3.3 Crystal Oscillators	7
3.4 RTC and Low-Power Management	8
<b>4 Peripherals and Sensors</b>	10
4.1 Peripherals and Sensors Description	10
<b>5 Electrical Characteristics</b>	11
5.1 Absolute Maximum Ratings	11
5.2 Wi-Fi Radio	11
5.3 BLE Radio	12
5.3.1 Receiver	12
5.3.2 Transmitter	12
5.4 Reflow Profile	13
<b>6 Schematics</b>	14
<b>7 Peripheral Schematics</b>	16
<b>8 Dimensions</b>	17
<b>9 U.FL Connector Dimensions</b>	19
<b>10 Learning Resources</b>	20
10.1 Must-Read Documents	20
10.2 Must-Have Resources	20

## List of Tables

2	ESP-WROOM-32D vs. ESP32-WROOM-32U	1
3	ESP-WROOM-32D/ESP32-WROOM-32U Specifications	2
4	Pin Definitions	3
5	Strapping Pins	5
6	Functionalities Depending on the Power Modes	8
7	Power Consumption by Power Modes	8
8	Absolute Maximum Ratings	11
9	Wi-Fi Radio Characteristics	11
10	Receiver Characteristics — BLE	12
11	Transmitter Characteristics — BLE	12

## List of Figures

1	ESP-WROOM-32D Pin layout	3
2	Reflow Profile	13
3	ESP-WROOM-32D Schematics	14
4	ESP32-WROOM-32U Schematics	15
5	ESP-WROOM-32D/ESP32-WROOM-32U Peripheral Schematics	16
6	Dimensions of ESP-WROOM-32D	17
7	Dimensions of ESP32-WROOM-32U	18
8	ESP32-WROOM-32U U.FL Dimensions	19

# 1. Overview

ESP-WROOM-32D and ESP32-WROOM-32U are powerful, generic Wi-Fi+BT+BLE MCU modules that target a wide variety of applications, ranging from low-power sensor networks to the most demanding tasks, such as voice encoding, music streaming and MP3 decoding. ESP32-WROOM-32U is different from ESP-WROOM-32D in that ESP32-WROOM-32U integrates a U.FL connector. For detailed information of the U.FL connector please see Chapter 9.

**Table 2: ESP-WROOM-32D vs. ESP32-WROOM-32U**

Module	ESP-WROOM-32D	ESP32-WROOM-32U
Core	ESP32-D0WD	ESP32-D0WD
SPI Flash	32 Mbits, 3.3V	32 Mbits, 3.3V
Crystal	40 MHz	40 MHz
Antenna	onboard antenna	U.FL connector (which needs to be connected to an external IPEX antenna)
Dimensions (Unit: mm)	18±0.2 x 25.5±0.2 x 3.1±0.15 (See Figure 6 for details)	18±0.1 x 19.2±0.1 x 3.2±0.1 (See Figure 7 for details)
Schematics	See Figure 3 for details.	See Figure 4 for details.

At the core of the two modules are the ESP32-D0WD chip\*. The chip embedded is designed to be scalable and adaptive. There are two CPU cores that can be individually controlled, and the clock frequency is adjustable from 80 MHz to 240 MHz. The user may also power off the CPU and make use of the low-power co-processor to constantly monitor the peripherals for changes or crossing of thresholds. ESP32 integrates a rich set of peripherals, ranging from capacitive touch sensors, Hall sensors, SD card interface, Ethernet, high-speed SPI, UART, I2S and I2C.

**Note:**

\* For details on the part number of the ESP32 series, please refer to the document [ESP32 Datasheet](#).

The integration of Bluetooth, Bluetooth LE and Wi-Fi ensures that a wide range of applications can be targeted, and that the module is future proof: using Wi-Fi allows a large physical range and direct connection to the internet through a Wi-Fi router, while using Bluetooth allows the user to conveniently connect to the phone or broadcast low energy beacons for its detection. The sleep current of the ESP32 chip is less than 5  $\mu$ A, making it suitable for battery powered and wearable electronics applications. ESP32 supports a data rate of up to 150 Mbps, and 20.5 dBm output power at the antenna to ensure the widest physical range. As such the chip does offer industry-leading specifications and the best performance for electronic integration, range, power consumption, and connectivity.

The operating system chosen for ESP32 is freeRTOS with LwIP; TLS 1.2 with hardware acceleration is built in as well. Secure (encrypted) over the air (OTA) upgrade is also supported, so that developers can continually upgrade their products even after their release.

Table 3 provides the specifications of ESP-WROOM-32D and ESP32-WROOM-32U.

Table 3: ESP-WROOM-32D/ESP32-WROOM-32U Specifications

Categories	Items	Specifications
Wi-Fi	Protocols	802.11 b/g/n/e/i (802.11n up to 150 Mbps) A-MPDU and A-MSDU aggregation and 0.4 $\mu$ s guard interval support
	Frequency range	2.4 ~ 2.5 GHz
Bluetooth	Protocols	Bluetooth v4.2 BR/EDR and BLE specification
	Radio	NZIF receiver with -97 dBm sensitivity
		Class-1, class-2 and class-3 transmitter AFH
Audio	CVSD and SBC	
Hardware	Module interface	SD card, UART, SPI, SDIO, I2C, LED PWM, Motor PWM, I2S, IR
		GPIO, capacitive touch sensor, ADC, DAC, LNA pre-amplifier
	On-chip sensor	Hall sensor, temperature sensor
	On-board clock	40 MHz crystal
	Operating voltage/Power supply	2.7 ~ 3.6V
	Operating current	Average: 80 mA
	Minimum current delivered by power supply	500 mA
	Operating temperature range	-40°C ~ +85°C
	Ambient temperature range	Normal temperature
	Wi-Fi mode	Station/SoftAP/SoftAP+Station/P2P
Software	Wi-Fi Security	WPA/WPA2/WPA2-Enterprise/WPS
	Encryption	AES/RSA/ECC/SHA
	Firmware upgrade	UART Download / OTA (download and write firmware via network or host)
	Software development	Supports Cloud Server Development / SDK for custom firmware development
	Network protocols	IPv4, IPv6, SSL, TCP/UDP/HTTP/FTP/MQTT
	User configuration	AT instruction set, cloud server, Android/iOS app

## 2. Pin Definitions

### 2.1 Pin Layout

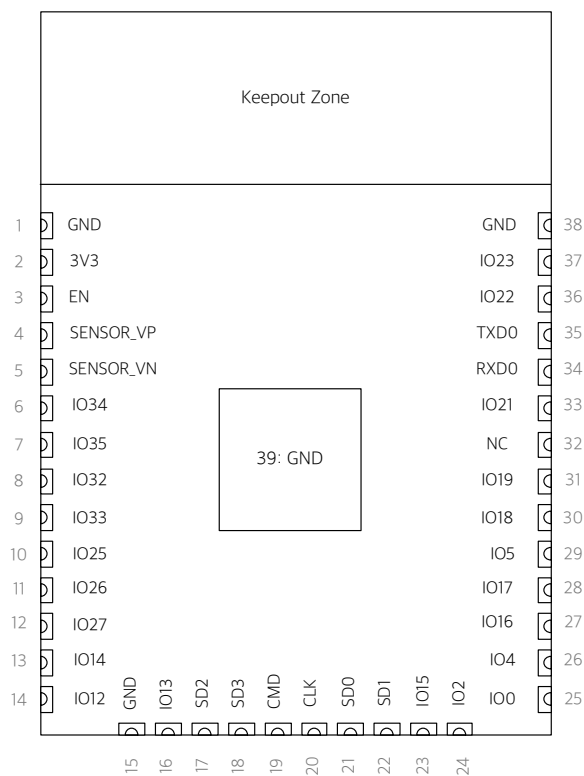


Figure 1: ESP-WROOM-32D Pin layout

**Note:**

The pin layout of ESP32-WROOM-32U is the same as that of ESP-WROOM-32D, except that ESP32-WROOM-32U has no keepout zone.

### 2.2 Pin Description

ESP-WROOM-32D and ESP32-WROOM-32U have 38 pins. See pin definitions in Table 4.

Table 4: Pin Definitions

Name	No.	Type	Function
GND	1	P	Ground
3V3	2	P	Power supply.
EN	3	I	Chip-enable signal. Active high.
SENSOR_VP	4	I	GPIO36, SENSOR_VP, ADC_H, ADC1_CH0, RTC_GPIO0
SENSOR_VN	5	I	GPIO39, SENSOR_VN, ADC1_CH3, ADC_H, RTC_GPIO3
IO34	6	I	GPIO34, ADC1_CH6, RTC_GPIO4
IO35	7	I	GPIO35, ADC1_CH7, RTC_GPIO5



Name	No.	Type	Function
IO32	8	I/O	GPIO32, XTAL_32K_P (32.768 kHz crystal oscillator input), ADC1_CH4, TOUCH9, RTC_GPIO9
IO33	9	I/O	GPIO33, XTAL_32K_N (32.768 kHz crystal oscillator output), ADC1_CH5, TOUCH8, RTC_GPIO8
IO25	10	I/O	GPIO25, DAC_1, ADC2_CH8, RTC_GPIO6, EMAC_RXD0
IO26	11	I/O	GPIO26, DAC_2, ADC2_CH9, RTC_GPIO7, EMAC_RXD1
IO27	12	I/O	GPIO27, ADC2_CH7, TOUCH7, RTC_GPIO17, EMAC_RX_DV
IO14	13	I/O	GPIO14, ADC2_CH6, TOUCH6, RTC_GPIO16, MTMS, HSPICLK, HS2_CLK, SD_CLK, EMAC_TXD2
IO12	14	I/O	GPIO12, ADC2_CH5, TOUCH5, RTC_GPIO15, MTDI, HSPIQ, HS2_DATA2, SD_DATA2, EMAC_TXD3
GND	15	P	Ground
IO13	16	I/O	GPIO13, ADC2_CH4, TOUCH4, RTC_GPIO14, MTCK, HSPID, HS2_DATA3, SD_DATA3, EMAC_RX_ER
SHD/SD2*	17	I/O	GPIO9, SD_DATA2, SPIHD, HS1_DATA2, U1RXD
SWP/SD3*	18	I/O	GPIO10, SD_DATA3, SPIWP, HS1_DATA3, U1TXD
SCS/CMD*	19	I/O	GPIO11, SD_CMD, SPICS0, HS1_CMD, U1RTS
SCK/CLK*	20	I/O	GPIO6, SD_CLK, SPICLK, HS1_CLK, U1CTS
SDO/SD0*	21	I/O	GPIO7, SD_DATA0, SPIQ, HS1_DATA0, U2RTS
SDI/SD1*	22	I/O	GPIO8, SD_DATA1, SPID, HS1_DATA1, U2CTS
IO15	23	I/O	GPIO15, ADC2_CH3, TOUCH3, MTDO, HSPICS0, RTC_GPIO13, HS2_CMD, SD_CMD, EMAC_RXD3
IO2	24	I/O	GPIO2, ADC2_CH2, TOUCH2, RTC_GPIO12, HSPIWP, HS2_DATA0, SD_DATA0
IO0	25	I/O	GPIO0, ADC2_CH1, TOUCH1, RTC_GPIO11, CLK_OUT1, EMAC_TX_CLK
IO4	26	I/O	GPIO4, ADC2_CH0, TOUCH0, RTC_GPIO10, HSPiHD, HS2_DATA1, SD_DATA1, EMAC_TX_ER
IO16	27	I/O	GPIO16, HS1_DATA4, U2RXD, EMAC_CLK_OUT
IO17	28	I/O	GPIO17, HS1_DATA5, U2TXD, EMAC_CLK_OUT_180
IO5	29	I/O	GPIO5, VSPICS0, HS1_DATA6, EMAC_RX_CLK
IO18	30	I/O	GPIO18, VSPICLK, HS1_DATA7
IO19	31	I/O	GPIO19, VSPIQ, U0CTS, EMAC_TXD0
NC	32	-	-
IO21	33	I/O	GPIO21, VSPIHD, EMAC_TX_EN
FXD0	34	I/O	GPIO3, U0RXD, CLK_OUT2
TXD0	35	I/O	GPIO1, U0TXD, CLK_OUT3, EMAC_RXD2
IO22	36	I/O	GPIO22, VSPIWP, U0RTS, EMAC_TXD1
IO23	37	I/O	GPIO23, VSPID, HS1_STROBE
GND	38	P	Ground

**Note:**

\* Pins SCK/CLK, SDO/SD0, SDI/SD1, SHD/SD2, SWP/SD3 and SCS/CMD, namely, GPIO6 to GPIO11 are connected to the integrated SPI flash integrated on ESP-WROOM-32D and are not recommended for other uses.

## 2.3 Strapping Pins

ESP32 has five strapping pins, which can be seen in Chapter 6 Schematics:

- MTDI
- GPIO0
- GPIO2
- MTDO
- GPIO5

Software can read the value of these five bits from the register "GPIO\_STRAPPING".

During the chip's system reset (power-on reset, RTC watchdog reset and brownout reset), the latches of the strapping pins sample the voltage level as strapping bits of "0" or "1", and hold these bits until the chip is powered down or shut down. The strapping bits configure the device boot mode, the operating voltage of VDD\_SDIO and other system initial settings.

Each strapping pin is connected with its internal pull-up/pull-down during the chip reset. Consequently, if a strapping pin is unconnected or the connected external circuit is high-impedance, the internal weak pull-up/pull-down will determine the default input level of the strapping pins.

To change the strapping bit values, users can apply the external pull-down/pull-up resistances, or apply the host MCU's GPIOs to control the voltage level of these pins when powering on ESP32.

After reset, the strapping pins work as the normal functions pins.

Refer to Table 5 for detailed boot modes' configuration by strapping pins.

**Table 5: Strapping Pins**

Voltage of Internal LDO (VDD_SDIO)					
Pin	Default	3.3V		1.8V	
MTDI	Pull-down	0		1	
Bootling Mode					
Pin	Default	SPI Boot		Download Boot	
GPIO0	Pull-up	1		0	
GPIO2	Pull-down	Don't-care		0	
Debugging Log Printed on U0TXD During Bootling?					
Pin	Default	U0TXD Toggling		U0TXD Silent	
MTDO	Pull-up	1		0	
Timing of SDIO Slave					
Pin	Default	Falling-edge Input Falling-edge Output	Falling-edge Input Rising-edge Output	Rising-edge Input Falling-edge Output	Rising-edge Input Rising-edge Output
MTDO	Pull-up	0	0	1	1
GPIO5	Pull-up	0	1	0	1

**Note:**

- Firmware can configure register bits to change the settings of "Voltage of Internal LDO (VDD\_SDIO)" and "Timing of SDIO Slave" after booting.
- Both ESP-WROOM-32D and ESP32-WROOM-32U integrate a 3.3V SPI flash, so the pin MTDI cannot be set to 1 when the modules are powered up.

## 3. Functional Description

This chapter describes the modules and functions integrated in ESP-WROOM-32D and ESP32-WROOM-32U.

### 3.1 CPU and Internal Memory

ESP32-D0WD contains a dual-core Xtensa® 32-bit LX6 MCU. The internal memory includes:

- 448 kB of ROM for booting and core functions.
- 520 kB (8 kB RTC FAST Memory included) of on-chip SRAM for data and instruction.
  - 8 kB of SRAM in RTC, which is called RTC FAST Memory and can be used for data storage; it is accessed by the main CPU during RTC Boot from the Deep-sleep mode.
- 8 kB of SRAM in RTC, which is called RTC SLOW Memory and can be accessed by the co-processor during the Deep-sleep mode.
- 1 kbit of eFuse, of which 256 bits are used for the system (MAC address and chip configuration) and the remaining 768 bits are reserved for customer applications, including Flash-Encryption and Chip-ID.

### 3.2 External Flash and SRAM

ESP32 supports up to four 16-MB of external QSPI flash and SRAM with hardware encryption based on AES to protect developers' programs and data.

ESP32 can access the external QSPI flash and SRAM through high-speed caches.

- Up to 16 MB of external flash are memory-mapped onto the CPU code space, supporting 8, 16 and 32-bit access. Code execution is supported.
- Up to 8 MB of external flash/SRAM are memory-mapped onto the CPU data space, supporting 8, 16 and 32-bit access. Data-read is supported on the flash and SRAM. Data-write is supported on the SRAM.

ESP-WROOM-32D and ESP32-WROOM-32U integrates 4 MB of external SPI flash. The 4-MB SPI flash can be memory-mapped onto the CPU code space, supporting 8, 16 and 32-bit access. Code execution is supported. The integrated SPI flash is connected to GPIO6, GPIO7, GPIO8, GPIO9, GPIO10 and GPIO11. These six pins cannot be used as regular GPIOs.

### 3.3 Crystal Oscillators

The ESP32 Wi-Fi/BT firmware can only support 40 MHz crystal oscillator for now.

### 3.4 RTC and Low-Power Management

With the use of advanced power management technologies, ESP32 can switch between different power modes (see Table 6).

- Power modes
  - Active mode: The chip radio is powered on. The chip can receive, transmit, or listen.
  - Modem-sleep mode: The CPU is operational and the clock is configurable. The Wi-Fi/Bluetooth baseband and radio are disabled.
  - Light-sleep mode: The CPU is paused. The RTC memory and RTC peripherals, as well as the ULP co-processor are running. Any wake-up events (MAC, host, RTC timer, or external interrupts) will wake up the chip.
  - Deep-sleep mode: Only the RTC memory and RTC peripherals are powered on. Wi-Fi and Bluetooth connection data are stored in the RTC memory. The ULP co-processor can work.
  - Hibernation mode: The internal 8-MHz oscillator and ULP co-processor are disabled. The RTC recovery memory is powered down. Only one RTC timer on the slow clock and some RTC GPIOs are active. The RTC timer or the RTC GPIOs can wake up the chip from the Hibernation mode.
- Sleep Patterns
  - Association sleep pattern: The power mode switches between the Active mode, Modem- and Light-sleep mode during this sleep pattern. The CPU, Wi-Fi, Bluetooth, and radio are woken up at predetermined intervals to keep Wi-Fi/BT connections alive.
  - ULP sensor-monitored pattern: The main CPU is in the Deep-sleep mode. The ULP co-processor takes sensor measurements and wakes up the main system, based on the data collected from sensors.

**Table 6: Functionalities Depending on the Power Modes**

Power mode	Active	Modem-sleep	Light-sleep	Deep-sleep	Hibernation
Sleep pattern	Association sleep pattern			ULP sensor-monitored pattern	-
CPU	ON	ON	PAUSE	OFF	OFF
Wi-Fi/BT baseband and radio	ON	OFF	OFF	OFF	OFF
RTC memory and RTC peripherals	ON	ON	ON	ON	OFF
ULP co-processor	ON	ON	ON	ON/OFF	OFF

The power consumption varies with different power modes/sleep patterns and work statuses of functional modules. Please see Table 7 for details.

**Table 7: Power Consumption by Power Modes**

Power mode	Description	Power consumption
Active (RF working)	Wi-Fi Tx packet 14 dBm ~ 19.5 dBm	Please refer to <a href="#">ESP32 Datasheet</a> .
	Wi-Fi / BT Tx packet 0 dBm	
	Wi-Fi / BT Rx and listening	
	Association sleep pattern (by Light-sleep)	1 mA ~ 4 mA @DTIM3

Power mode	Description	Power consumption
Modem-sleep	The CPU is powered on.	Max speed 240 MHz: 30 mA ~ 50 mA
		Normal speed 80 MHz: 20 mA ~ 25 mA
		Slow speed 2 MHz: 2 mA ~ 4 mA
Light-sleep	-	0.8 mA
Deep-sleep	The ULP co-processor is powered on.	150 $\mu$ A
	ULP sensor-monitored pattern	100 $\mu$ A @1% duty
	RTC timer + RTC memory	10 $\mu$ A
Hibernation	RTC timer only	5 $\mu$ A
Power off	CHIP_PU is set to low level, the chip is powered off	0.1 $\mu$ A

**Note:**

- When Wi-Fi is enabled, the chip switches between Active and Modem-sleep mode. Therefore, power consumption changes accordingly.
- In Modem-sleep mode, the CPU frequency changes automatically. The frequency depends on the CPU load and the peripherals used.
- During Deep-sleep, when the ULP co-processor is powered on, peripherals such as GPIO and I2C are able to work.
- When the system works in the ULP sensor-monitored pattern, the ULP co-processor works with the ULP sensor periodically; ADC works with a duty cycle of 1%, so the power consumption is 100  $\mu$ A.

## 4. Peripherals and Sensors

### 4.1 Peripherals and Sensors Description

Please refer to Section 4 Peripherals and Sensors in [ESP32 Datasheet](#).

**Note:**

- Functions of Motor PWM, LED PWM, UART, I2C, I2S, general purpose SPI and Remote Controller can be configured to any GPIO except GPIO6, GPIO7, GPIO8, GPIO9, GPIO10 and GPIO11.
- Users should note that pins of the embedded ESP32 chip, that are used for connecting peripherals are not recommended for other uses. For details, please see Section 6 Schematics.

## 5. Electrical Characteristics

**Note:**

The specifications in this chapter have been tested under the following general condition:  $V_{DD} = 3.3V$ ,  $T_A = 27^{\circ}C$ , unless otherwise specified.

### 5.1 Absolute Maximum Ratings

**Table 8: Absolute Maximum Ratings**

Parameter	Symbol	Min	Typ	Max	Unit
Power supply	VDD	2.7	3.3	3.6	V
Minimum current delivered by power supply	$I_{VDD}$	0.5	-	-	A
Input low voltage	$V_{IL}$	-0.3	-	$0.25 \times V_{IO}^1$	V
Input high voltage	$V_{IH}$	$0.75 \times V_{IO}^1$	-	$V_{IO}^1 + 0.3$	V
Input leakage current	$I_{IL}$	-	-	50	nA
Input pin capacitance	$C_{pad}$	-	-	2	pF
Output low voltage	$V_{OL}$	-	-	$0.1 \times V_{IO}^1$	V
Output high voltage	$V_{OH}$	$0.8 \times V_{IO}^1$	-	-	V
Maximum output drive capability	$I_{MAX}$	-	-	40	mA
Storage temperature range	$T_{STR}$	-40	-	85	$^{\circ}C$
Operating temperature range	$T_{OPR}$	-40	-	85	$^{\circ}C$

1.  $V_{IO}$  is the power supply for a specific pad. More details can be found in the [ESP32 Datasheet](#), Appendix IO\_MUX. For example, the power supply for SD\_CLK is the VDD\_SDIO.

### 5.2 Wi-Fi Radio

**Table 9: Wi-Fi Radio Characteristics**

Description	Min	Typical	Max	Unit
Input frequency	2412	-	2484	MHz
Output impedance	-	*	-	$\Omega$
Input reflection	-	-	-10	dB
Tx power				
Output power of PA for 72.2 Mbps	13	14	15	dBm
Output power of PA for 11b mode	19.5	20	20.5	dBm
Sensitivity				
DSSS, 1 Mbps	-	-98	-	dBm
CCK, 11 Mbps	-	-91	-	dBm
OFDM, 6 Mbps	-	-93	-	dBm
OFDM, 54 Mbps	-	-75	-	dBm
HT20, MCS0	-	-93	-	dBm



Description	Min	Typical	Max	Unit
HT20, MCS7	-	-73	-	dBm
HT40, MCS0	-	-90	-	dBm
HT40, MCS7	-	-70	-	dBm
MCS32	-	-89	-	dBm
Adjacent channel rejection				
OFDM, 6 Mbps	-	37	-	dB
OFDM, 54 Mbps	-	21	-	dB
HT20, MCS0	-	37	-	dB
HT20, MCS7	-	20	-	dB

\*For the module that uses an IPEX antenna, the output impedance is 50Ω.

## 5.3 BLE Radio

### 5.3.1 Receiver

**Table 10: Receiver Characteristics – BLE**

Parameter	Conditions	Min	Typ	Max	Unit
Sensitivity @30.8% PER	-	-	-97	-	dBm
Maximum received signal @30.8% PER	-	0	-	-	dBm
Co-channel C/I	-	-	+10	-	dB
Adjacent channel selectivity C/I	F = F0 + 1 MHz	-	-5	-	dB
	F = F0 - 1 MHz	-	-5	-	dB
	F = F0 + 2 MHz	-	-25	-	dB
	F = F0 - 2 MHz	-	-35	-	dB
	F = F0 + 3 MHz	-	-25	-	dB
	F = F0 - 3 MHz	-	-45	-	dB
Out-of-band blocking performance	30 MHz ~ 2000 MHz	-10	-	-	dBm
	2000 MHz ~ 2400 MHz	-27	-	-	dBm
	2500 MHz ~ 3000 MHz	-27	-	-	dBm
	3000 MHz ~ 12.5 GHz	-10	-	-	dBm
Intermodulation	-	-36	-	-	dBm

### 5.3.2 Transmitter

**Table 11: Transmitter Characteristics – BLE**

Parameter	Conditions	Min	Typ	Max	Unit
RF transmit power	-	-	0	-	dBm
Gain control step	-	-	±3	-	dBm
RF power control range	-	-12	-	+12	dBm

Parameter	Conditions	Min	Typ	Max	Unit
Adjacent channel transmit power	F = F0 + 1 MHz	-	-14.6	-	dBm
	F = F0 - 1 MHz	-	-12.7	-	dBm
	F = F0 + 2 MHz	-	-44.3	-	dBm
	F = F0 - 2 MHz	-	-38.7	-	dBm
	F = F0 + 3 MHz	-	-49.2	-	dBm
	F = F0 - 3 MHz	-	-44.7	-	dBm
	F = F0 + > 3 MHz	-	-50	-	dBm
	F = F0 - > 3 MHz	-	-50	-	dBm
$\Delta f_{1avg}$	-	-	-	265	kHz
$\Delta f_{2max}$	-	247	-	-	kHz
$\Delta f_{2avg}/\Delta f_{1avg}$	-	-	-0.92	-	-
ICFT	-	-	-10	-	kHz
Drift rate	-	-	0.7	-	kHz/50 $\mu$ s
Drift	-	-	2	-	kHz

### 5.4 Reflow Profile

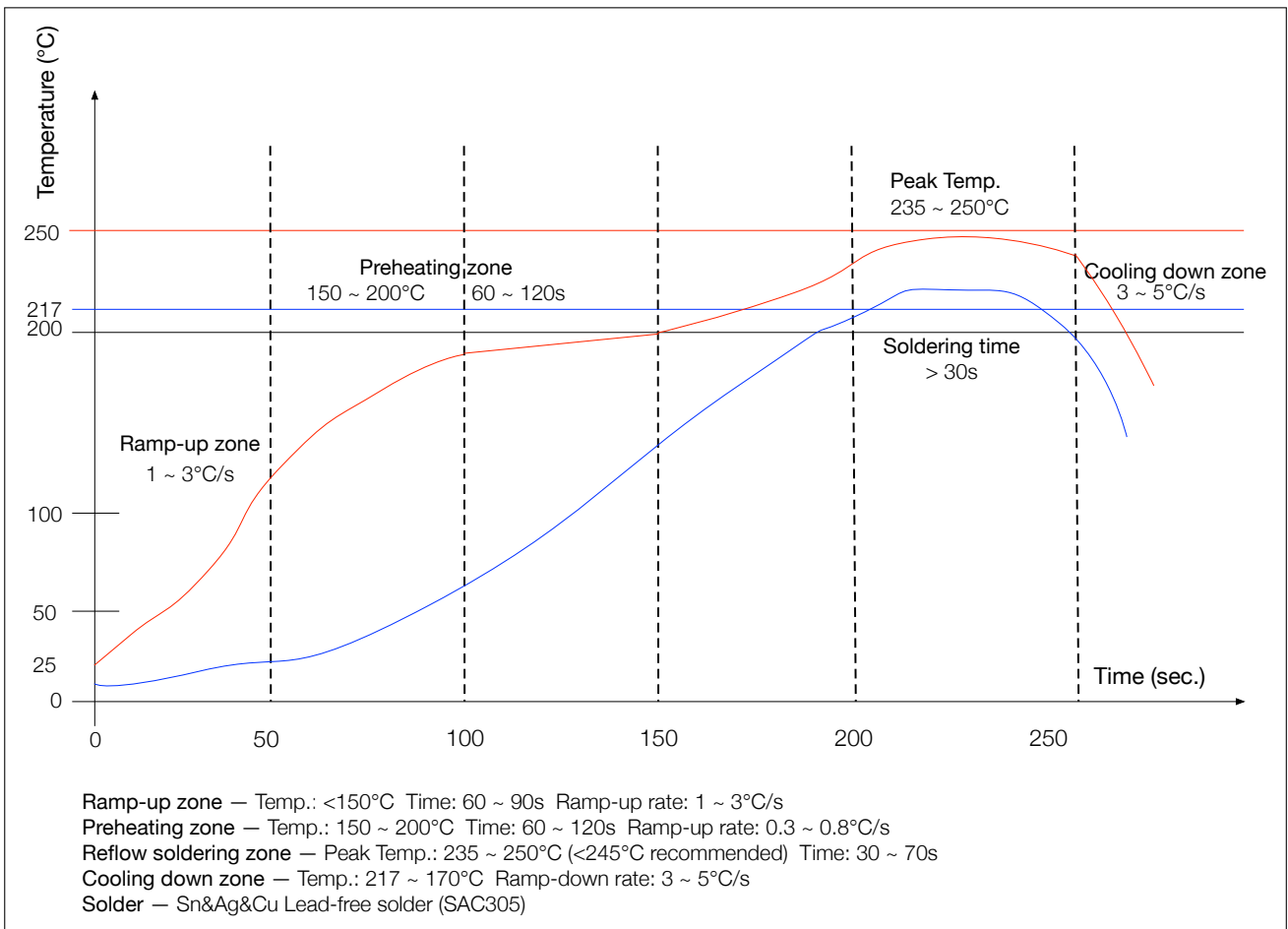


Figure 2: Reflow Profile

# 6. Schematics

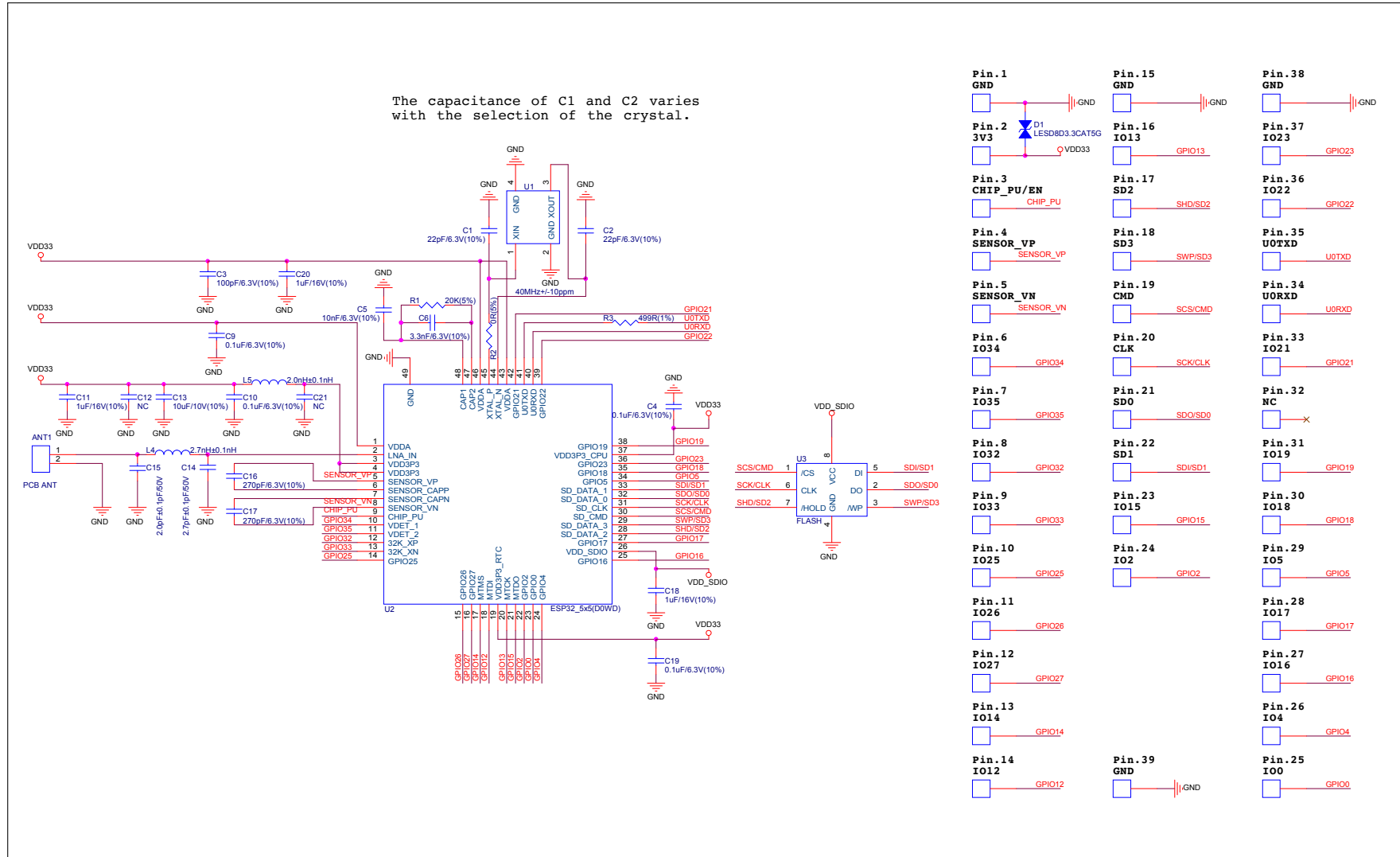


Figure 3: ESP-WROOM-32D Schematics

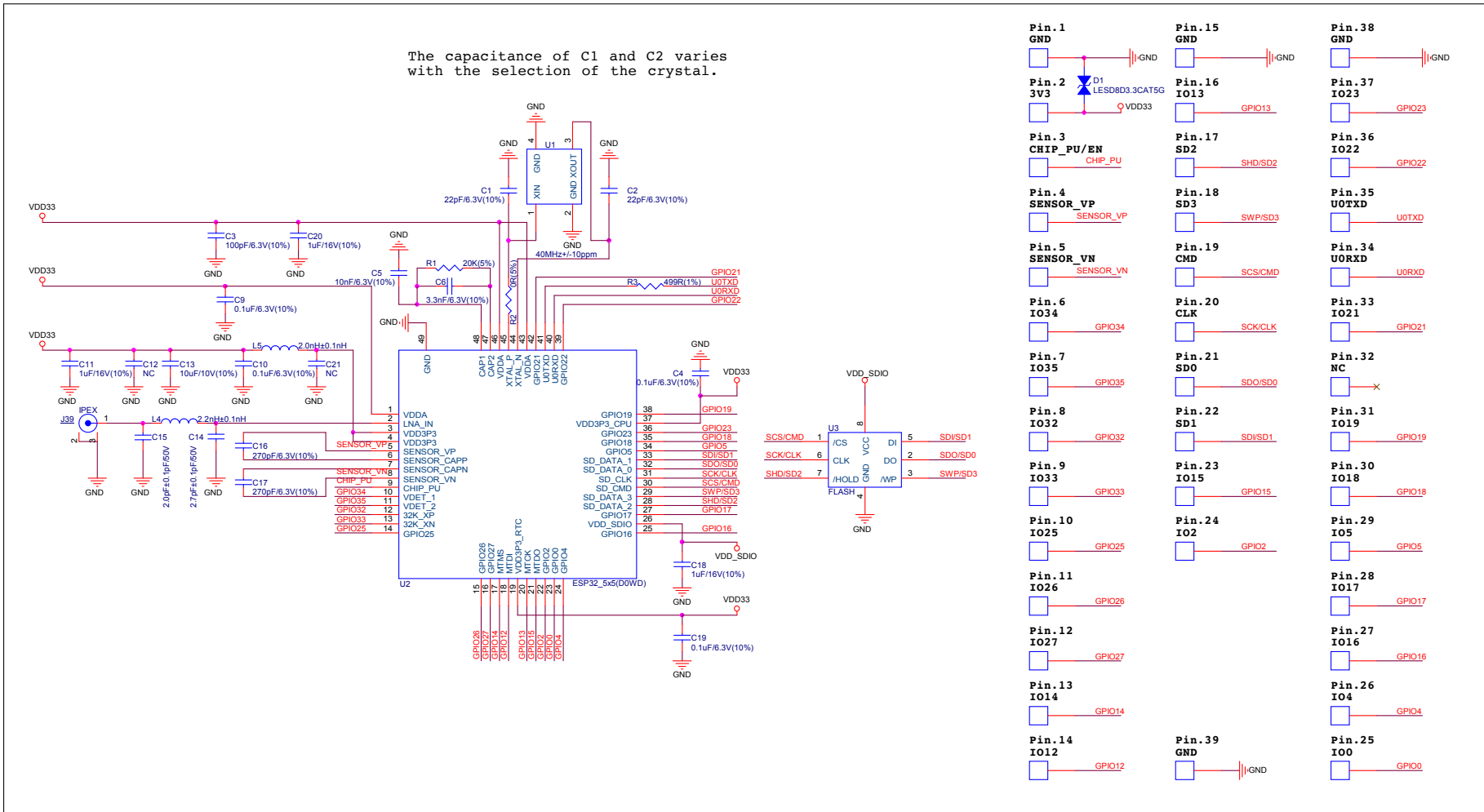


Figure 4: ESP32-WROOM-32U Schematics

## 7. Peripheral Schematics

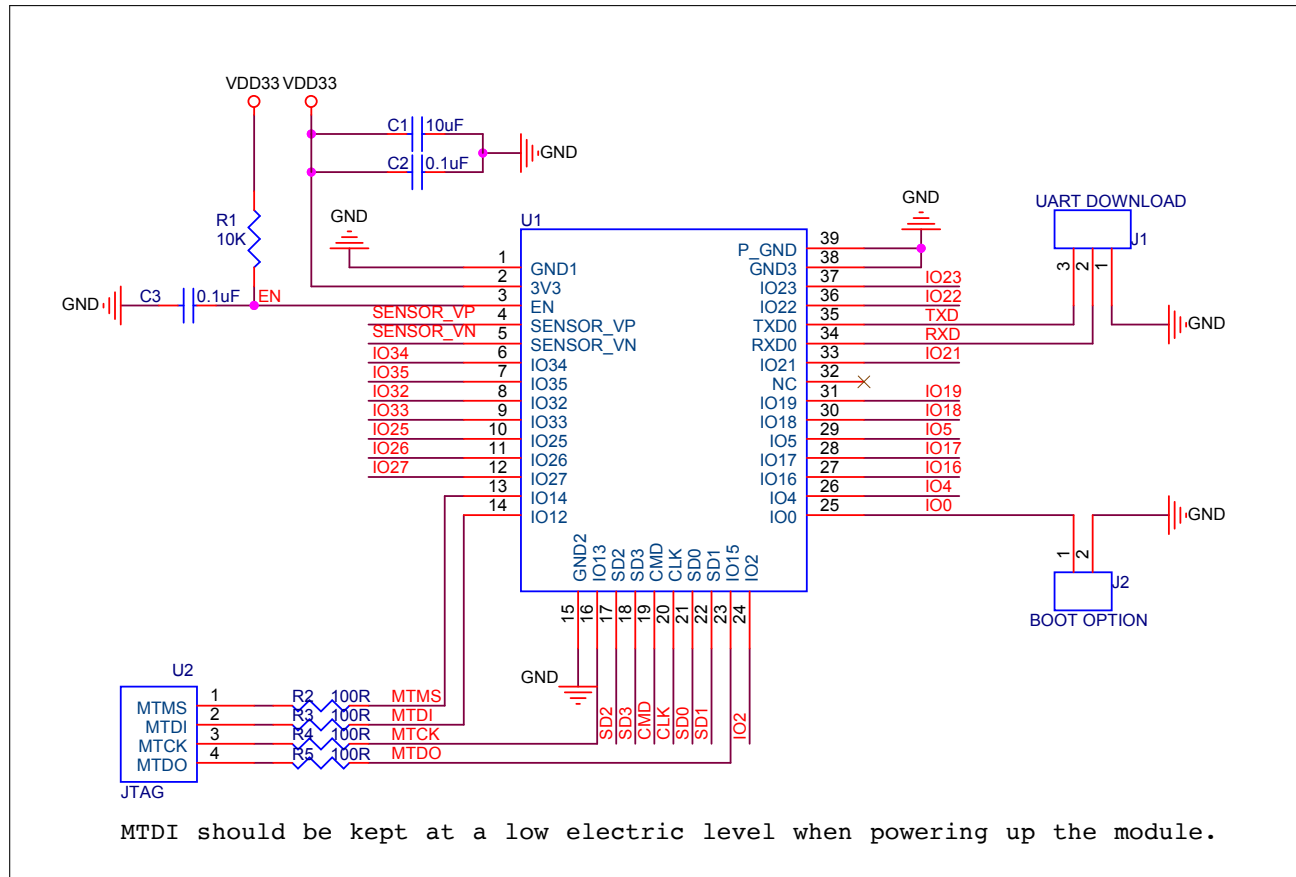


Figure 5: ESP-WROOM-32D/ESP32-WROOM-32U Peripheral Schematics

**Note:**

It is recommended that users do not solder Pad 39 to the base board. If users do want to solder it, they need to ensure that the correct quantity of soldering paste is applied.

## 8. Dimensions

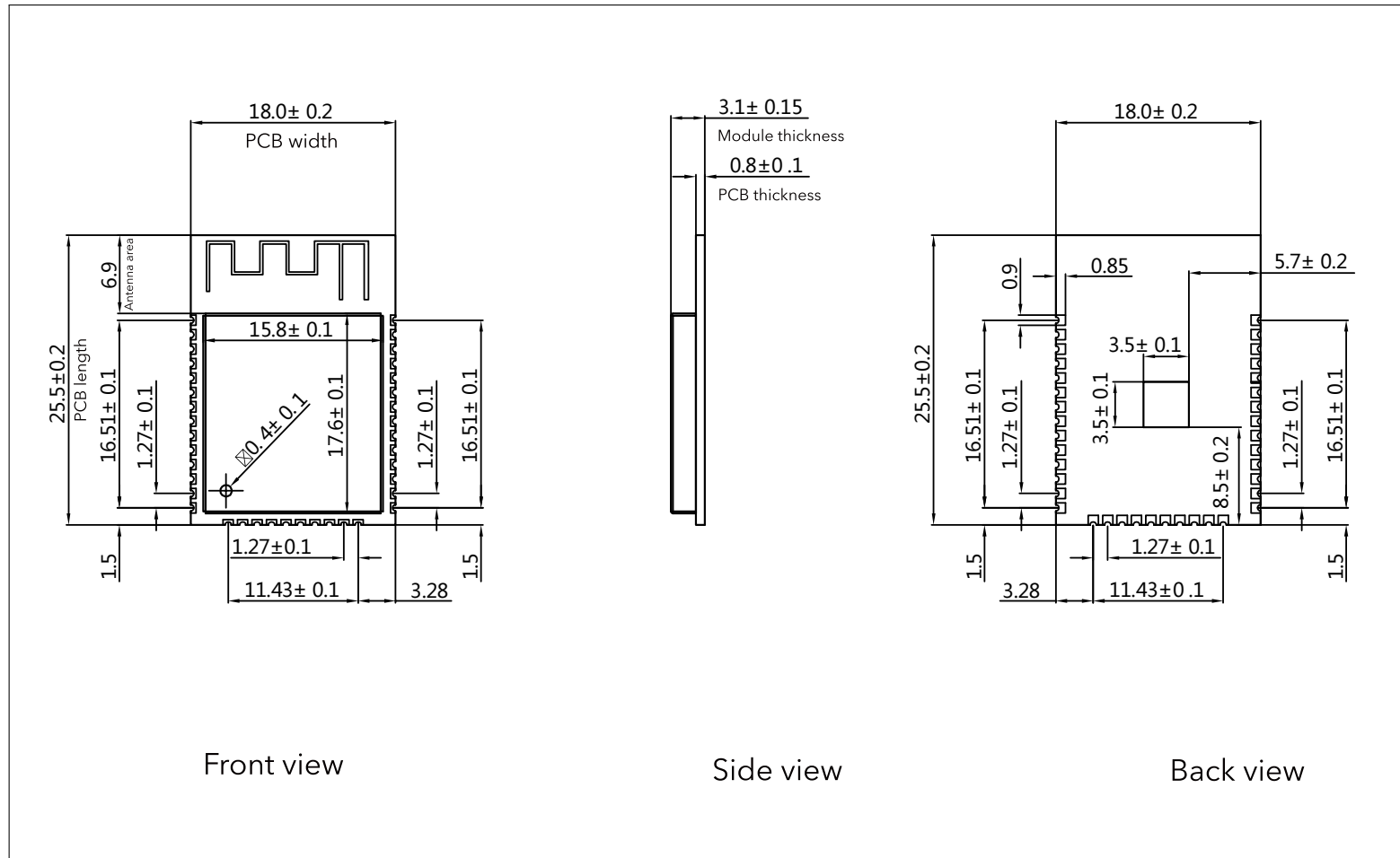


Figure 6: Dimensions of ESP-WROOM-32D

**Note:**

All dimensions are in millimeters.

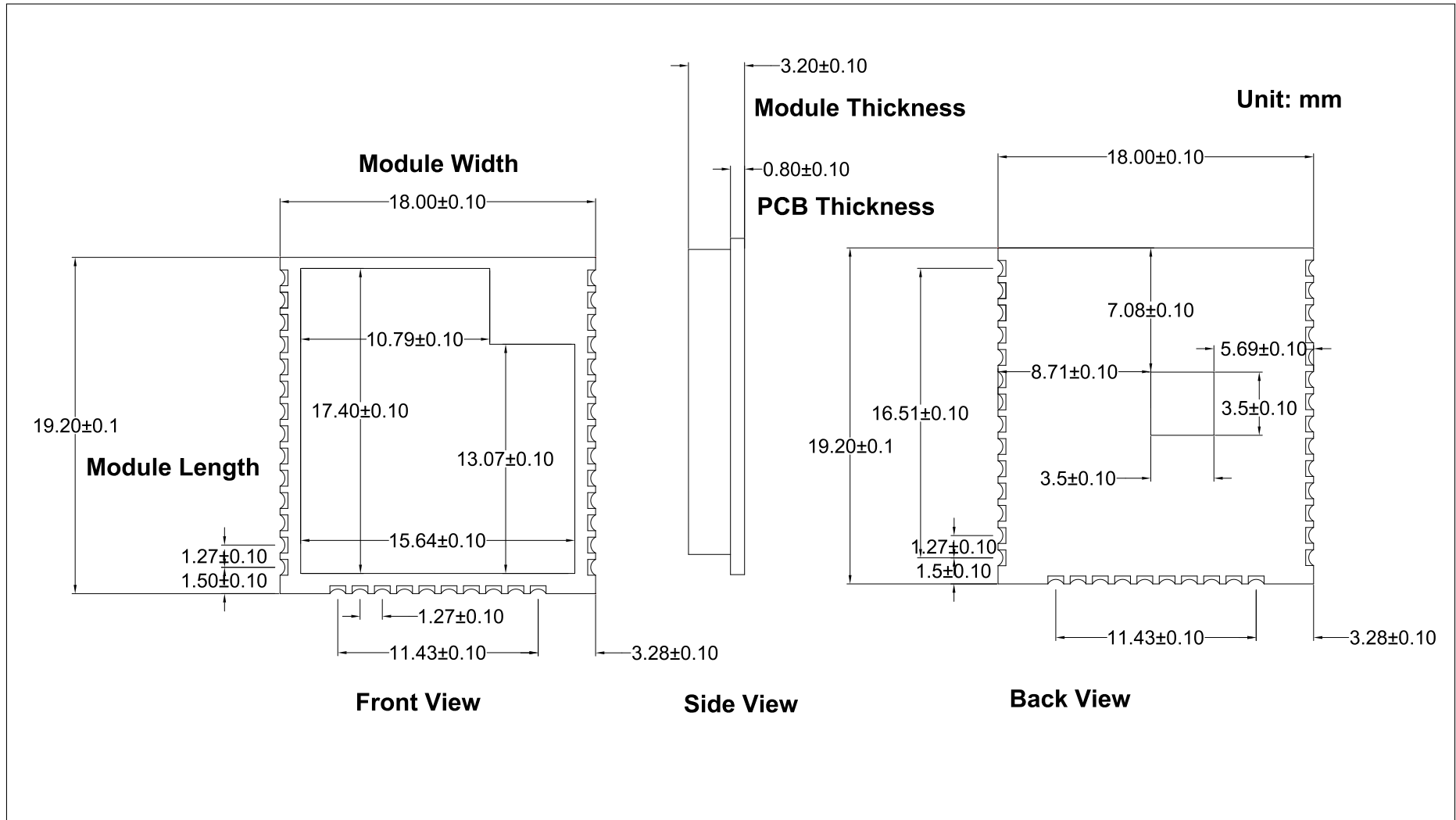


Figure 7: Dimensions of ESP32-WROOM-32U

## 9. U.FL Connector Dimensions

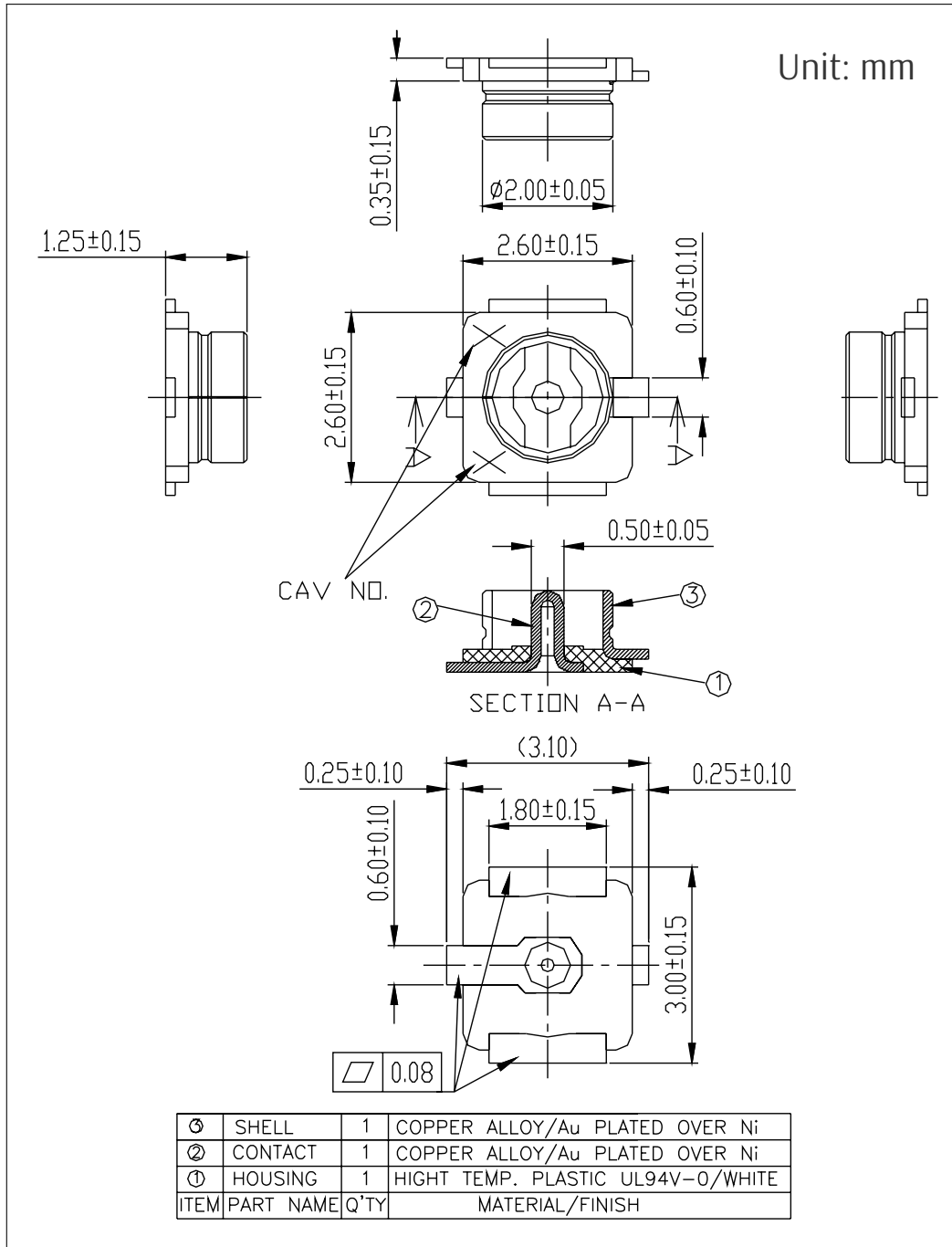


Figure 8: ESP32-WROOM-32U U.FL Dimensions

**Note:**

All dimensions are in millimeters.



## 10. Learning Resources

### 10.1 Must-Read Documents

The following link provides documents related to ESP32.

- [ESP32 Datasheet](#)  
This document provides an introduction to the specifications of the ESP32 hardware, including overview, pin definitions, functional description, peripheral interface, electrical characteristics, etc.
- [ESP32 Technical Reference Manual](#)  
The manual provides detailed information on how to use the ESP32 memory and peripherals.
- [ESP32 Hardware Resources](#)  
The zip files include the schematics, PCB layout, Gerber and BOM list of ESP32 modules and development boards.
- [ESP32 Hardware Design Guidelines](#)  
The guidelines outline recommended design practices when developing standalone or add-on systems based on the ESP32 series of products, including ESP32, the ESP-WROOM-32 module, and ESP32-DevKitC—the development board.
- [ESP32 AT Instruction Set and Examples](#)  
This document introduces the ESP32 AT commands, explains how to use them, and provides examples of several common AT commands.

### 10.2 Must-Have Resources

Here are the ESP32-related must-have resources.

- [ESP32 BBS](#)  
This is an Engineer-to-Engineer (E2E) Community for ESP32 where you can post questions, share knowledge, explore ideas, and help solve problems with fellow engineers.
- [ESP32 GitHub](#)  
ESP32 development projects are freely distributed under Espressif's MIT license on GitHub. It is established to help developers get started with ESP32 and foster innovation and the growth of general knowledge about the hardware and software surrounding ESP32 devices.
- [ESP32 Tools](#)  
This is a webpage where users can download ESP32 Flash Download Tools and the zip file "ESP32 Certification and Test".
- [ESP-IDF](#)  
This webpage links users to the official IoT development framework for ESP32.
- [ESP32 Resources](#)  
This webpage provides the links to all available ESP32 documents, SDK and tools.