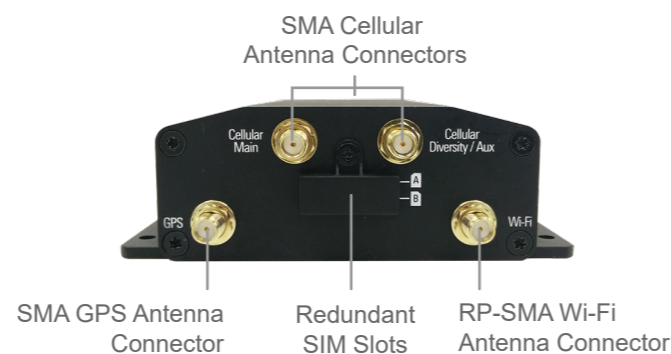
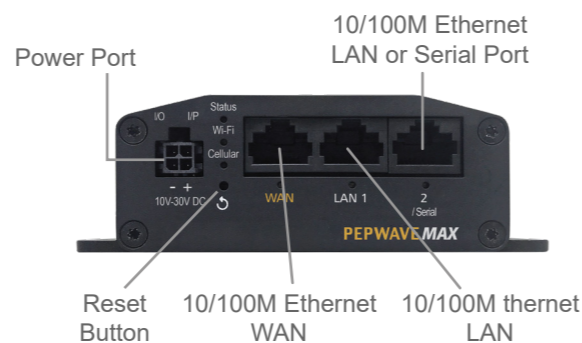


MAX BR1 Classic

Affordable Ruggedized LTE Router

Specifications

| MAX BR1 Classic | |
|------------------------------|-------------------------------------------------------------------------------------------------------------------------------------------------------|
| Cellular WAN Interfaces | Single LTE Modem |
| Redundant SIM Slot | ● |
| SpeedFusion Hot Failover | ● |
| WAN Interface | 1x 10/100M Ethernet Port |
| LAN Interface | 2x 10/100M Ethernet Port (1x Serial Port shared with LAN Interface) |
| Load Balancing/Failover | ● |
| Stateful Firewall Throughput | 100Mbps |
| ContentHub Storage | 8 GB |
| Recommended Users | 60 |
| Downlink/Uplink Datarate | 150Mbps/50Mbps (LTE Modem) 300Mbps/50Mbps (LTE-A Modem) |
| Wi-Fi Standard | 802.11b/g/n Wi-Fi WAN or AP |
| Antenna Connectors | 2x SMA Cellular, 1x SMA GPS, 1x RP-SMA Wi-Fi |
| Power Input | Device: 12V – 30V DC AC Adapter: AC Input 100V – 240V / DC Output 12V Passive PoE Input (WAN Port, 12V – 30V DC) |
| Power Consumption | 12W (max.) |
| Dimensions | 4.1 x 4.3 x 1.2 inches 105 x 110 x 30 mm |
| Weight | 0.54 pound / 244 grams |
| Operating Temperature | -40° – 149°F / -40° – 65°C |
| Humidity | 15% – 95% (non-condensing) |
| Warranty | 1-Year Limited Warranty |
| Certifications | FCC, CE, RoHS, IC, EN 61373 IEC 61373: Shock and Vibration Resistance EN 50155: Railway Applications EN 61000: Electromagnetic Compatibility |



Industrial Grade

The BR1 Classic comes with a rugged metal enclosure, and a wide range of certifications at an affordable price:

- Shock and Vibration Resistance (EN 61373:1999, IEC 61373:1999)
- Railway Applications (EN 50155)
- Electromagnetic Compatibility (EN 61000)



Set and Forget

Set up your BR1 Classic in minutes, and then let it connect your network for years without worry. The current uptime record for a Peplink device is 1,252 days and counting.

Years after installation, this previous generation BR1 is still going strong.

Ordering Information

| | Product Code | Carrier/Region | Cellular Standard | 4G Bands | 3G Bands |
|------|------------------|--------------------------------|-------------------|--------------------------------------------------------------------|----------------------------------------------|
| LTEA | MAX-BR1-LTEA-W-T | Worldwide / CAT-6 | LTE Advanced | B1, B2, B3, B4, B5, B7, B8, B12, B13, B20, B25, B26, B29, B30, B41 | WCDMA/HSPA+/DC-HSPA+: B1, B2, B3, B4, B5, B8 |
| LTE | MAX-BR1-LTE-E-T | Europe / International / CAT-4 | LTE | B1, B3, B5, B7, B8, B20, B38 (TDD), B40(TDD), B41 (TDD) | WCDMA/HSPA+/DC-HSPA+: B1, B5, B8 |

Add-on Features

| Product Code | Description |
|--------------|----------------------------------------------------------------------------------------------------------------|
| MAX-BR1-ADV | Advanced Feature Package includes a software license key for X.509 Certificate Support (SpeedFusion and IPsec) |
| PVN-LC-05 | PepVPN License Key, enables up to 5 PepVPN connections |
| MAX-LC-DIM | Activate the Drop-in Mode for the MAX BR1 Series |

Versatile

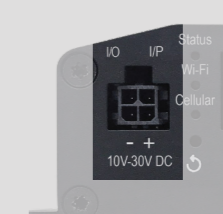
The BR1 Classic is equipped with a wide array of features, so it can take on any deployment:



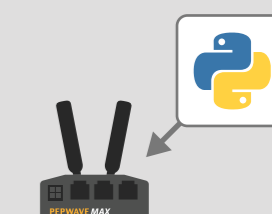
GPS Fleet Tracking



Custom Captive Portal



GPIO Terminal Block



Supports Python