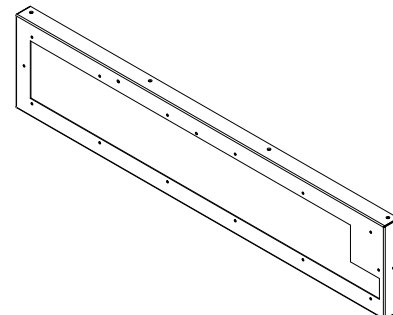


# ALP1200/A

LED Panel for Rolling Stock

- Display area (796 × 116) mm, yellow LED colour
- Resolution 200 × 30 pixels
- RS485 interface with galvanic separation
- Power supply 24 V DC
- On-wall mounting
- Fulfil UIC176
- Designed in accordance with EN 50155



## TECHNICAL DATA

<b>CPU</b>	
Processor	STM32F103ZET6
Internal FLASH memory	512 kB
<b>Display area</b>	(796 × 116) mm
Resolution	200 × 30 pixels
LED pitch	4 mm
LED colour	Yellow, 590 nm typ.
Brightness	Min. 200 cd/m <sup>2</sup>
Observation angel	70 ° *)
<b>Light sensor</b>	
Sensor	AMS302
Function	Measuring of ambient light
<b>WC sign</b>	
Location	Right side
LED colour	Red
Power supply	16,8 V DC to 33,6 V DC
Max. power consumption	0,4 A at 24 V DC
Peak input current	15 A **)
<b>RS485</b>	
Galvanic separation / insulation strength	Yes, 500 V AC/1 minute ***)
Connection	WAGO231-638/019-000 #)
<b>Power supply</b>	16,8 V DC to 33,6 V DC
Max. power consumption	3 A at 24 V DC
Peak input current	5 A ##)
Connection	Connector WAGO231-638/019 #)
<b>Others</b>	
Mechanic	Metal rack, aluminium case with cover plexi-glass
Mounting	On-wall – rack is fixed by screws
Cover protection rate	IP50
Operating temperature	-40 °C to 70 °C
Storage temperature	-40 °C to 70 °C
Max. ambient humidity	< 95 % non-condensing
Weight	4,5 kg
Dimensions (w × h × d)	(931 × 205 × 37) mm
Expected MTBF	> 50 000 h

\*) Decline in brightness from the line of observation angel to 50 %.

\*\*) Duration time of peak input current is less then 50 µs.

\*\*\*) Galvanic separation may not be used for unsafe voltage separation.

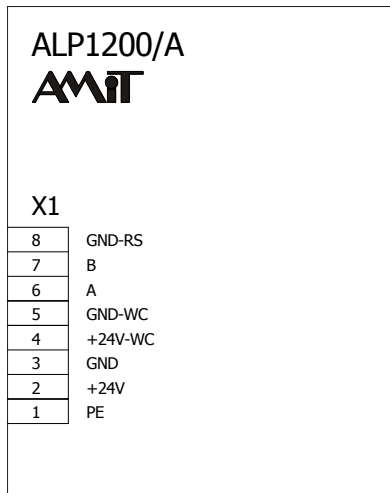
#) Common connector for power supply, WC sign connection and communication.

##) Duration time of peak input current is less then 5 ms.

## ORDERING INFORMATION

<b>ALP1200/A</b>	LED panel, counterpart of incoming connector, user's manual, warranty card, production test report, insulation test report
------------------	--

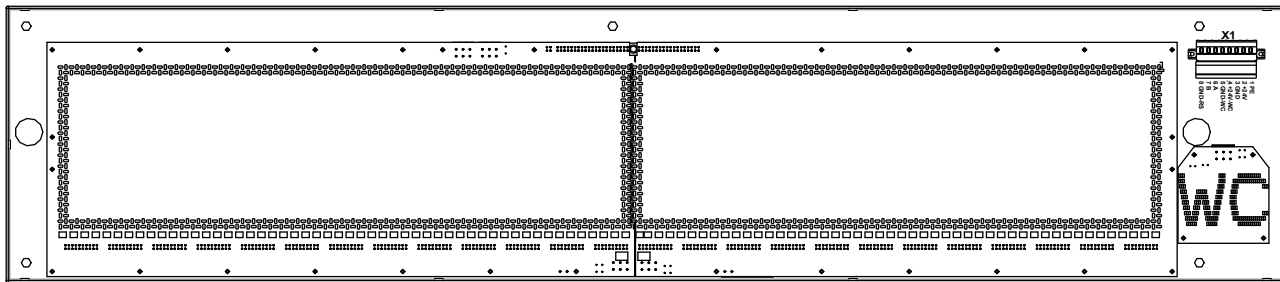
## RECOMMENDED DIAGRAM SYMBOL



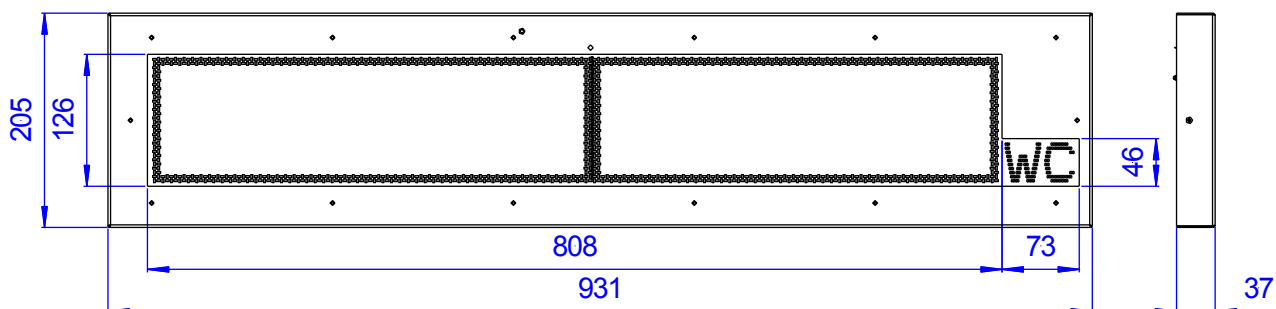
## TERMINALS ASSIGNMENT

Connector	PIN	Signal	Signal type on ALP1200/A
X1	1	PE	Unit frame
	2	+24V	Power supply, +24 V
	3	GND	Power supply, GND
	4	+24V-WC	WC sign power supply, +24 V
	5	GND-WC	WC sign power supply, GND
	6	A	RS485, A line
	7	B	RS485, B line
	8	GND-RS	RS485, ground

## CONNECTOR LOCATION



## PANEL DIMENSIONS



Information listed in this data sheet has only informative character. Binding data are mentioned in user's manual (alp1200a\_g\_en\_xxx.pdf). Documentation and examples are available on [www.amit.cz](http://www.amit.cz) or on company CD.