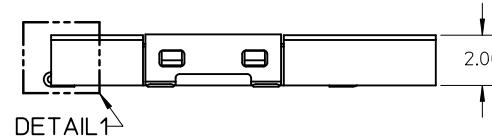
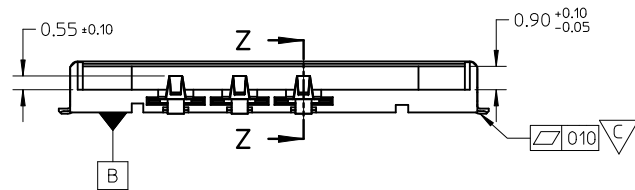
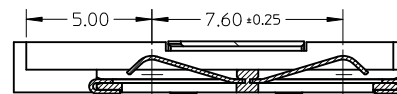
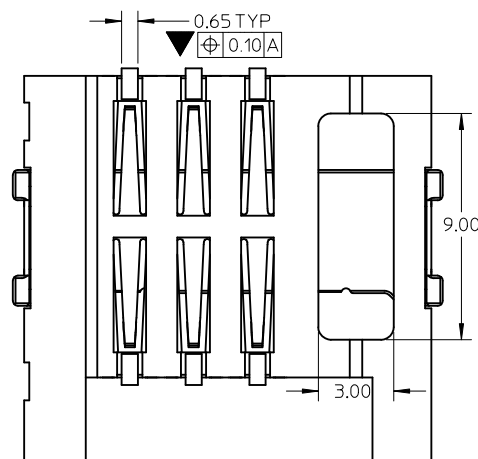


DETAIL 1



DETAIL 1



SECTION Z-Z

NOTE:

1.MATERIAL:

HOUSING: LCP, GLASS-FILLED, UL 94V-0, COLOR .BLACK.  
 TERMINAL:PHOSPHOR BRONZE.THICKNESS:0.12MM.  
 SHELL: STAINLESS STEEL.THICKNESS:0.2MM.

2.FINISH:

2.0 MICRON NI OVER ALL.  
 0.5 MICRON MIN GOLD FOR CONTACT AREA.  
 0.05 GOLD MICRON MIN FOR SOLDER TAIL.

3.PRODUCT SPECIFICATION: PS-47308-001.

ADD DIMENSION EC NO: S2011-0912 DRW:KHLIM CHKD:JTAN02 APPR:SKTOH	2011/04/25 2011/05/12 2011/05/27	QUALITY SYMBOLS F <sub>A</sub> =0 F <sub>B</sub> =0 F <sub>C</sub> =0 C=1 1=1	GENERAL TOLERANCES (UNLESS SPECIFIED)		DIMENSION STYLE MM ONLY		SCALE NTS	DESIGN UNITS METRIC	THIRD ANGLE PROJECTION		
				mm	INCH	DRAWN BY CYZHU	DATE 2005/11/24	SIM CARD CONNECTOR 2.0MM HEIGHT			
			4 PLACES	± ---	± ---	CHECKED BY YJWU	DATE 2005/11/24				
			3 PLACES	± ---	± ---	APPROVED BY GCHEN	DATE 2005/11/24	MOLEX INCORPORATED			
2 PLACES	± 0.15	± ---	ANGULAR ±1/2°		MATERIAL NO. 473080001	DOCUMENT NO. SD-47308-001	SHEET NO. 1 OF 1				
1 PLACE	± ---	± ---	DRAFT WHERE APPLICABLE MUST REMAIN WITHIN DIMENSIONS		THIS DRAWING CONTAINS INFORMATION THAT IS PROPRIETARY TO MOLEX INCORPORATED AND SHOULD NOT BE USED WITHOUT WRITTEN PERMISSION						