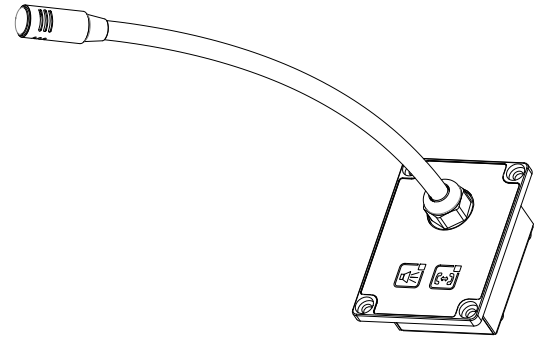


RRAS-GNM/A11

Microphone unit

- Two buttons for mode selection
- Gooseneck microphone
- Led indication
- On-wall mounting
- Designed in accordance with EN 50155



TECHNICAL DATA

Microphone	1 ×
Frequency	100 Hz to 16 kHz
Goose neck lenght	440 mm
Buttons	2 ×
Operating life	10 ⁶ operations (presses)
Buttons back-light	YES, SW controllable
Mode indication	2 × LED (button corner indicator)
Connection place	D-sub DE-9
Other informations	
Front panel	Aluminium + foil
Cover of the front panel	IP40
Cover of the back panel	IP20
Operating temperature	-40 °C to 70 °C
Storage temperature	-40 °C to 70 °C
Max. ambient humidity	< 95 % non-condensing
Mounting	Wall mounted, 4 × M4
Weight	380 g
Dimensions (w × h × d)	(86 × 65 × 42) mm

ORDERING INFORMATION

RRAS-GNM/A11	Microphone unit, user's manual, warranty card, production test report, insulation test report
---------------------	---

RECOMMENDED DIAGRAM SYMBOL



PHYSICAL DIMENSIONS

