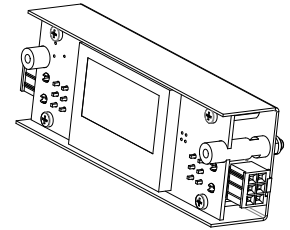


# AMT1000/A

Terminal for reservation system

- LCD monochrome, 128 × 64 pixels, LED back-lit
- RS485 communication interface
- Power supply 24 V DC
- Geographical addressing, connection by concatenation
- Mounting to the shelf frame
- Designed in accordance with EN 50155



## TECHNICAL DATA

<b>Display</b>	LCD monochrome, 128 × 64 pixels
Display area	(50 × 25) mm
Back-lit, color	White LED
Back-lit lifetime	50000 hours *)
<b>Communication</b>	
Line	RS485
Galvanic separation	No
Overvoltage protection	Transil 600 W
Line termination	External termination
Connection	MOLEX Mini-Fit Jr. connector
Connecting cables	0,2 to 0,8 mm <sup>2</sup>
<b>Power supply</b>	
Power supply	24 V DC, -30 % to +40 %
Max. power consumption	50 mA at 24 V DC
Peak input current **)	16 A
<b>Others</b>	
Mechanic	PCB with metal cover
Mounting	To the shelf frame
Cover protection rate	IP00
Operating temperature	-20 °C to 70 °C #)
Storage temperature	-30 °C to 70 °C
Max. ambient humidity	< 95 % non-condensing
Weight	200 g
Dimensions (w × h × d)	(125,9 × 44,7 × 35) mm

\*) Brightness become 50 % of the original brightness at the standard condition.

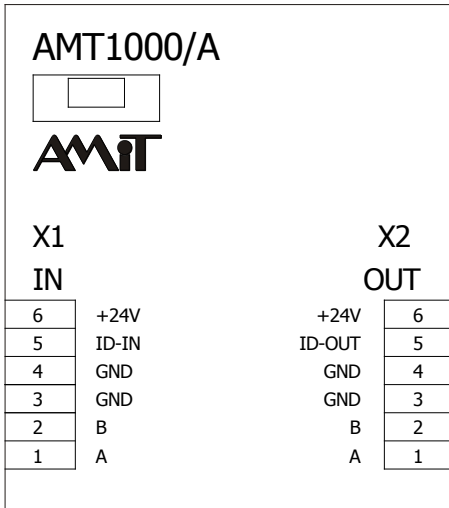
\*\*) Duration time of peak input current is less then 50 µs.

#) In minus temperatures the display response is slower.

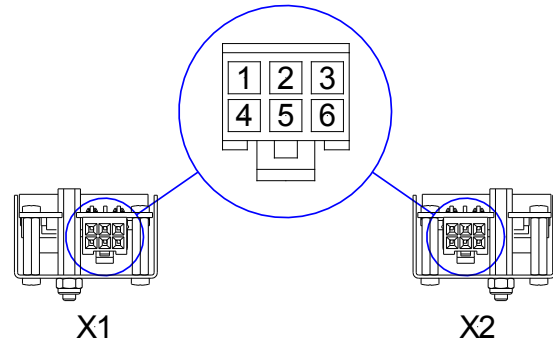
## ORDERING INFORMATION

<b>AMT1000/A</b>	Terminal for reservation system, connector counterparts, warranty card, production test report, insulation test report, user's manual
------------------	---

## RECOMMENDED DIAGRAM SYMBOL



## CONNECTORS LOCATION

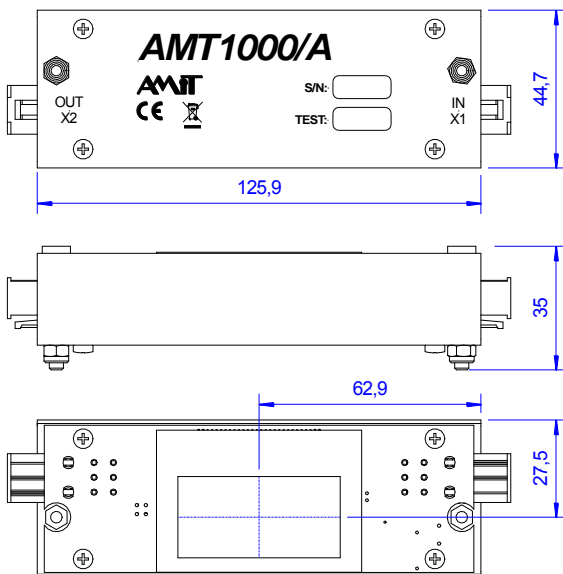


## TERMINALS ASSIGNMENT

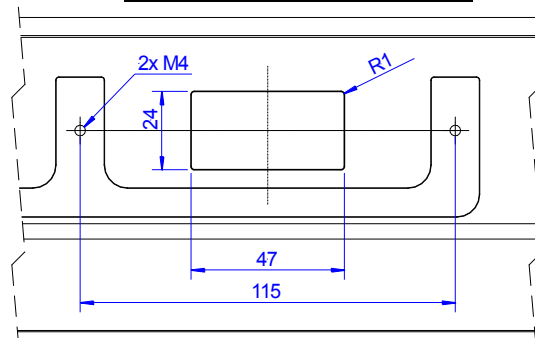
Connector	PIN	Signal	Signal type on AMT1000/A
X1	1	A	RS485, A line
	2	B	RS485, B line
	3	GND	RS485, ground
	4	GND	Power supply, ground
	5	ID_IN	Identification - input
	6	+24V	Power supply +24 V
X2	1	A	RS485, A line
	2	B	RS485, B line
	3	GND	RS485, ground
	4	GND	Power supply, ground
	5	ID_OUT	Identification - output
	6	+24V	Power supply +24 V

Note: Signals with the same name are internally connected. Connectors wiring allows concatenation.

## TERMINAL DIMENSIONS



## TERMINAL MOUNTING



**AMT1000/A** is for mounting to the shelf frame trough. In this trough has to be milled hole according to drawing. Two M4 screws fix unit.

Information listed in this data sheet has only informative character. Binding data are mentioned in user's manual ([amt1000a\\_g\\_en\\_xxx.pdf](#)). Documentation and examples are available on [www.amit.cz](http://www.amit.cz) or on company CD.