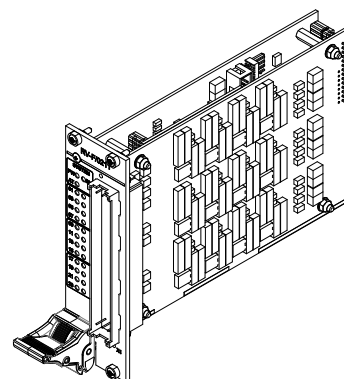


# RV-F/0211

24 digital input / output

- **24 × digital input / output 24 V DC**
- **Galvanically separated groups**
- **Fritting support**
- **Internal communication interface RAVA BUS**
- **Mounting in to 19" subrack RV-RC0xx**
- **Design according EN 50155:2007**



## TECHNICAL DATA

<b>Digital inputs / outputs</b>	24 ×
Output type	HSS
Number of galvanically separated groups	3 ×
Number of signals in group	8 ×
Input voltage range	0 V DC up to power supply voltage
Maximum level of input voltage for Log. 0	14.1 V DC
Maximum level of input voltage for Log. 1	15 V DC
Power supplying terminals	16 × single 4 × combined for two outputs
GND terminal	1 pin for each group *)
Switched current	4 A (Max. 16 A for 1 group)
Power supply voltage range	16.8 V to 30 V DC
Galv. separation/ insulation strength	Yes, 1000 V AC / 1 minute **)
Short circuit protection	Yes
Reverse polarity protection	Yes
Indication	3 × 8 LED on front panel
Connection point	DIN41612 connector, 48 pins, type F
<b>Current / maximum power consumption</b>	Internal 24 V DC from subrack / 180 mA
<b>Others</b>	
Mechanics	Subrack RV-RC0xx plug-in card
Number of occupied subrack positions	2
Ingress protection rate	IP20 (when installed)
Operating temperature range	-40 °C to +70 °C
Storage temperature range	-40 °C to +70 °C
Maximum ambient humidity	< 95 %, non-condensing
Weight	320 g
Dimensions in standard units (w × h) ***)	8 HP × 3 U
Dimensions (w × h × d)	(230 × 130 × 40) mm

\*) In signal group DIO01 to DIO08 there are two GND pins at the same potential.

\*\*\*) Insulation must not be used for dangerous voltage separation.

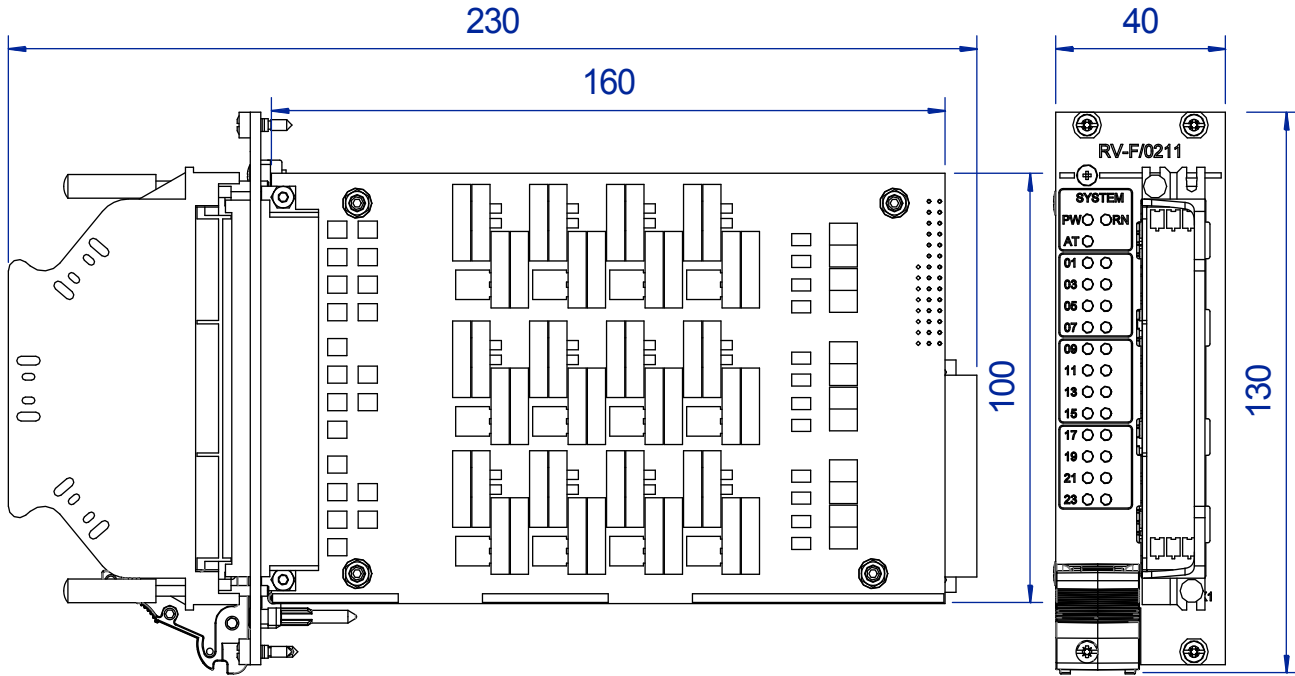
\*\*\*) 1 HP (horizontal pitch) = 0.2 inch (5.08 mm)

1 U (rack unit) = 1.75 inch (44.45 mm)

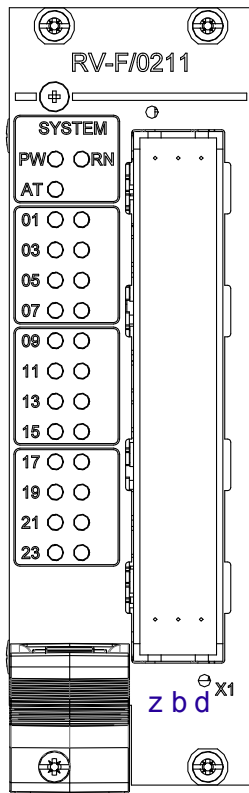
## ORDERING INFORMATIONS

<b>RV-F/0211</b>	Plug-in card, Operation manual, Routine testing protocol, Insulation testing protocol
<b>09062483201</b>	Cable connector DIN41612, type F
<b>09060009957</b>	Connector holder
<b>09060008482</b>	Crimping pins for 0.5 mm <sup>2</sup> to 1.5 mm <sup>2</sup> cable (1 piece)

## CARD DIMENSIONS



## CONNECTOR PINOUT



X1	z	b	d
2	DIO24	V+23_24	GND17_24
4	DIO23	V+20	DIO20
6	DIO22	V+19	DIO19
8	DIO21	V+18	DIO18
10	V+21_22	V+17	DIO17
12	DIO16	V+15_16	GND09_16
14	DIO15	V+12	DIO12
16	DIO14	V+11	DIO11
18	DIO13	V+10	DIO10
20	V+13_14	V+09	DIO09
22	DIO08	GND01_08	GND01_08
24	V+08	V+05	DIO05
26	DIO07	V+04	DIO04
28	V+07	V+03	DIO03
30	DIO06	V+02	DIO02
32	V+06	V+01	DIO01

Data provided in this datasheet are only informative. Detailed information can be found in operational manual ([rv-f0211\\_g\\_en\\_xxx.pdf](#)). Documentation and examples can be downloaded from [www.amit-transportation.cz](http://www.amit-transportation.cz), or from company CD.