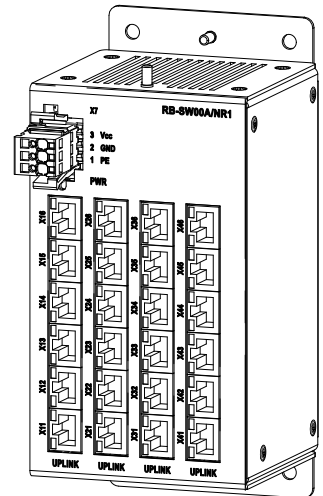


RB-SW00A/NR1

Industrial Ethernet Switch

- 4 integrated 5+1 ports industrial switch
- 4 ports 100 Mbps for Uplink
- Ethernet 10/100 Mbps
- Power supply 24 V DC
- Designed in accordance with EN 50155



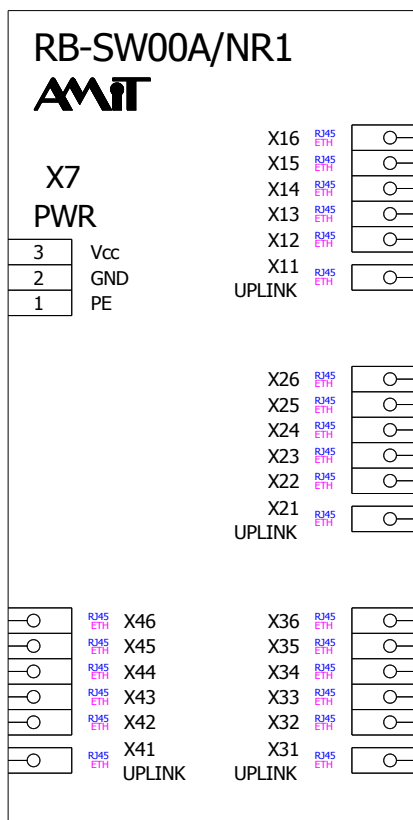
TECHNICAL DATA

Number of ports		4 × (5+1)
Communication rate	X11	100 Mbps
	X12 to X16	10/100 Mbps
Communication rate	X21	100 Mbps
	X22 to X26	10/100 Mbps
Communication rate	X31	100 Mbps
	X32 to X36	10/100 Mbps
Communication rate	X41	100 Mbps
	X42 to X46	10/100 Mbps
Power supply		16.6 V to 33.6 V DC
Power consumption		Max. 0.6 A at 24 V DC
Others		
Cover protection rate		IP20
Operating temperature		-40 °C to 70 °C
Storage temperature		-40 °C to 70 °C
Max. ambient humidity		< 95 % non-condensing
Mounting		4 × ø 6 mm hole
Weight		1.30 kg
Dimensions (w × h × d)		(92 × 193 × 88) mm

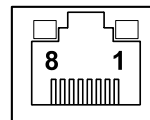
ORDERING INFORMATION

RB-SW00A/NR1	Industrial Ethernet switch, WAGO connector counterpart, operation manual, warranty card, production test report, insulation test report
---------------------	---

RECOMMENDED DRAWING SYMBOL



NUMBERING OF X11 TO X46 CONNECTOR PINS



CONNECTORS SPECIFICATION

Connector	Meaning
X11	Ethernet port 1 – Uplink
X12	Ethernet port 2
X13	Ethernet port 3
X14	Ethernet port 4
X15	Ethernet port 5
X16	Ethernet port 6

Connector	Meaning
X31	Ethernet port 1 – Uplink
X32	Ethernet port 2
X33	Ethernet port 3
X34	Ethernet port 4
X35	Ethernet port 5
X36	Ethernet port 6

Connector	Meaning
X21	Ethernet port 1 – Uplink
X22	Ethernet port 2
X23	Ethernet port 3
X24	Ethernet port 4
X25	Ethernet port 5
X26	Ethernet port 6

Connector	Meaning
X41	Ethernet port 1 – Uplink
X42	Ethernet port 2
X43	Ethernet port 3
X44	Ethernet port 4
X45	Ethernet port 5
X46	Ethernet port 6

Connector	Meaning
X7	Power supply

CONNECTORS X11 TO X46

Terminal	Meaning
1	Tx+
2	Tx-
3	Rx+
4	Not connected
5	Not connected
6	Rx-
7	Not connected
8	Not connected

CONNECTOR X7 (POWER SUPPLY)

Terminal	Label	Meaning
1	PE	Module frame
2	GND	Power supply, ground
3	Vcc	Power supply 24 V DC

MEANING OF LED

LED	State	Meaning
PWR	lights	Power supply OK

RB-SW00A/NR1

Industrial Ethernet Switch

RECOMMENDED CABLING

CAT5 cabling with shielded cross-wired or straight cables are supported on all ports.

MECHANICAL DIMENSIONS

