

Package Contents



ECB1200



2.4 GHz Detachable Antenna x 2



Power Adapter



5 GHz Detachable Antenna x 2



RJ45 Ethernet Cable



Quick Installation Guide

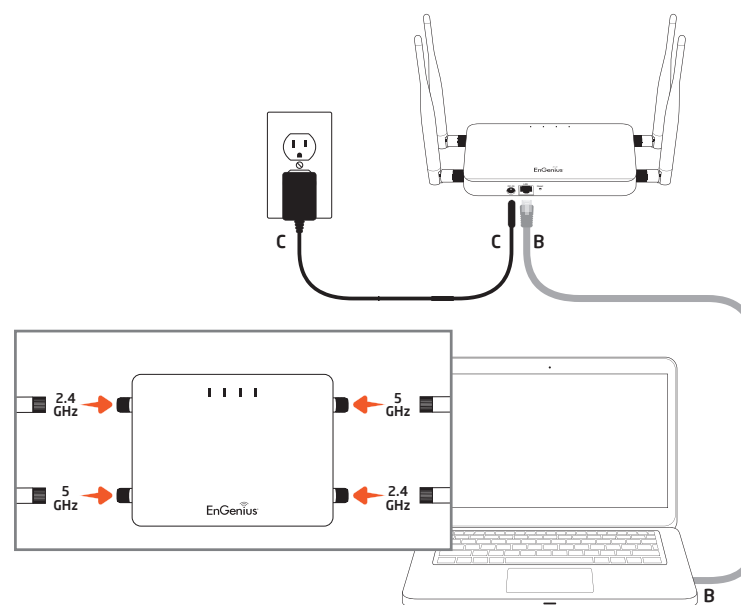
Minimum Requirements

- + Broadband Internet Service (Cable or DSL Modem)
- + Internet Browser (Internet Explorer, Safari, Firefox, Chrome)

1 Connecting the ECB1200

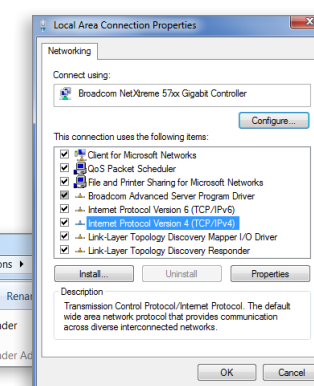
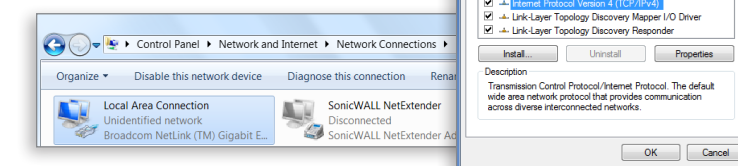
- Please install the antennas as shown below.
- Connect one end of the Ethernet cable into the LAN port of the ECB1200 and the other end to the Ethernet port on the computer.
- Connect the Power Adapter to the DC-IN port of the ECB1200 and plug the other end in to an electrical outlet.

Note: The Access Point supports both IEEE 802.3at PoE (Power over Ethernet) or the included power adapter. You may use either one as the power source. **DO NOT** use both at the same time.

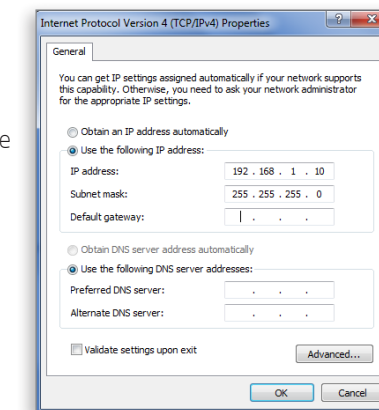


2 IP Address Configuration

- Once your computer is on, ensure that your TCP/IP is set to **On** or **Enabled**. Open **Network Connections** and then click **Local Area Connection**. Select **Internet Protocol Version 4 (TCP/IPv4)**.



- If your computer is already on a network, ensure that you have set it to a Static IP Address on the interface.
(Example: 192.168.1.10 and the Subnet Mask address as 255.255.255.0.)



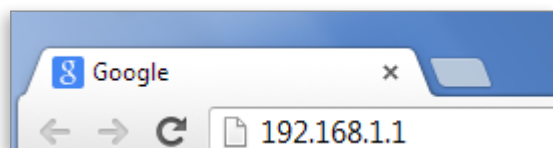
Quick Installation Guide

ECB1200
version 1.0

Dual-Band, Long Range
Wireless AC1200 Indoor Access Point/Client Bridge

3 ECB1200 Setup

- To configure the ECB1200, open a web browser. In the address bar of the web browser, enter **192.168.1.1** and press **Enter**.

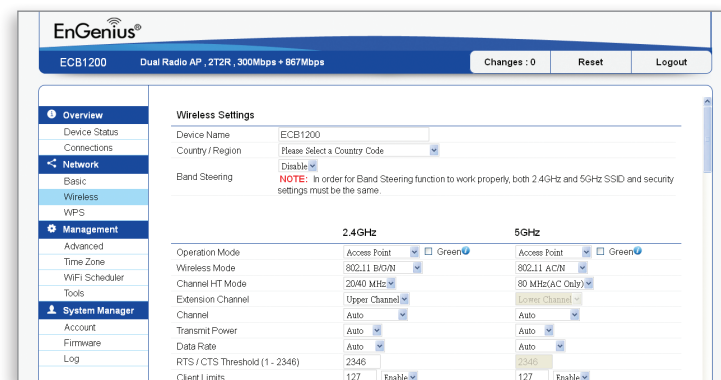


- A login screen will appear. By default, the username of the ECB1200 is **admin** and the password is **admin**. Enter the current username and password of the ECB1200 and then click **Login**.



4 Switching Modes

- This device can operate in the following modes: Access Point, Client Bridge, WDS AP, WDS Bridge and WDS Station.
- Select the mode from the **Operation Mode** drop down menu.



Technical Support

Country of Purchase	Service Center	Service Information
North America www.engeniuscanada.com	Canada	rma@engeniuscanada.com Toll Free: (+1) 888 397 2788 Local: (+1) 905 940 8181
	Los Angeles, USA	support@engeniustech.com Toll Free: (+1) 888 735 7888 Local: (+1) 714 432 8668
Central & South America es.engeniustech.com pg.engeniustech.com	Miami, USA	miamisupport@engeniustech.com Miami: (+1) 305 887 7378 Sao Paulo, Brazil: (+55) 11 3957 0303 D.F. Mexico: (+52) 55 1163 8894
	Netherlands	support@engeniusnetworks.eu (+31) 40 8200 887
Africa CIS Middle East Russia www.engenius-me.com	Dubai, UAE	support@engenius-me.com Toll Free: U.A.E.: 800-EnGenius 800-364-364-87 General: (+971) 4 357 5599
	Singapore	www.engeniustech.com.sg/e_warranty_form techsupport@engeniustech.com.sg Toll Free: Singapore: 1800 364 3648
Others www.engeniusnetworks.com	Taiwan, R.O.C	technology@senao.com

Notes

Maximum data rates are based on draft IEEE 802.11ac and IEEE 802.11 standards. Actual throughput and range may vary depending on many factors including environmental conditions, distance between devices, radio interference in the operating environment, and mix of devices in the network. Features and specifications subject to change without notice. Trademarks and registered trademarks are the property of their respective owners. For United States of America: Copyright © 2013 EnGenius Technologies, Inc. All rights reserved.