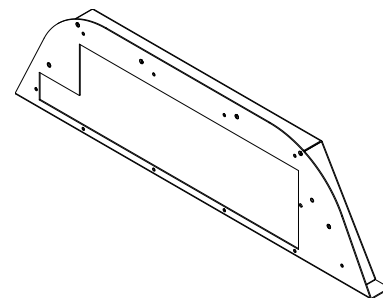


ALP1300/x

LED Panel for Rolling Stock

- Display area (396 × 116) mm, yellow LED colour
- Resolution 100 × 30 pixels
- RS485 interface with galvanic separation
- Power supply 24 V DC
- On-wall mounting
- Fulfil UIC176
- Designed in accordance with EN 50155



TECHNICAL DATA

| | |
|--|---|
| CPU | |
| Processor | STM32F103ZET6 |
| Internal FLASH memory | 512 kB |
| Display area | (396 × 116) mm |
| Resolution | 100 × 30 pixels |
| LED pitch | 4 mm |
| LED colour | Yellow, 590 nm typ. |
| Brightness | Typ. 200 cd/m ² |
| Observation angel | 70 ° *) |
| Light sensor | |
| Sensor | AMS302 |
| Function | Measuring of ambient light |
| WC sign | |
| Location: ALP1300/A ALP1300/B | Left side Right side |
| LED colour | Red |
| Power supply | 16,8 V DC to 33,6 V DC |
| Max. power consumption | 0,4 A at 24 V DC |
| Peak input current | 15 A **) |
| RS485 | |
| Galvanic separation / insulation strength | Yes, 500 V AC/1 minute ***) |
| Connection | WAGO231-638/019-000 #) |
| Power supply | 16,8 V DC to 33,6 V DC |
| Max. power consumption | 2 A at 24 V DC |
| Peak input current | 5 A ##) |
| Connection | Connector WAGO231-638/019 #) |
| Others | |
| Mechanic | Metal rack, aluminium case with cover plexi-glass |
| Mounting | On-wall – rack is fixed by screws |
| Cover protection rate | IP50 |
| Operating temperature | -40 °C to 70 °C |
| Storage temperature | -40 °C to 70 °C |
| Max. ambient humidity | < 95 % non-condensing |
| Weight | 3 kg |
| Dimensions (w × h × d) | (656 × 189 × 35) mm |
| Expected MTBF | > 50 000 h |

*) Decline in brightness from the line of observation angel to 50 %.

**) Duration time of peak input current is less then 50 µs.

***) Galvanic separation may not be used for unsafe voltage separation.

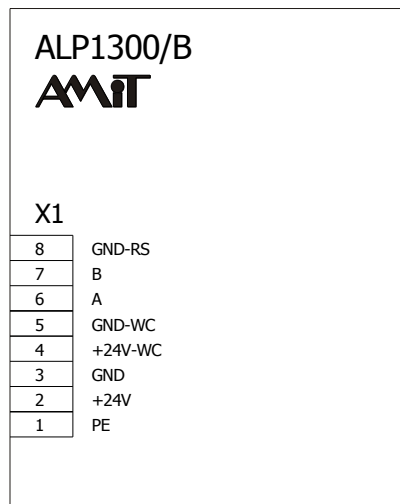
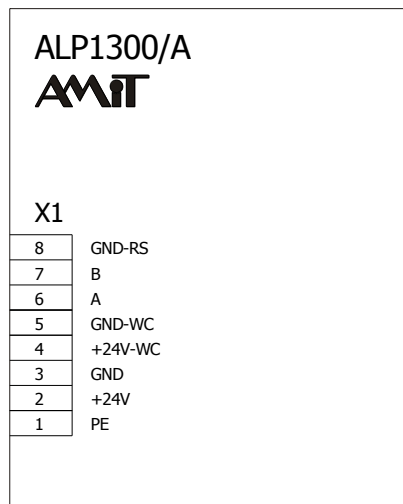
#) Common connector for power supply, WC sign connection and communication.

##) Duration time of peak input current is less then 5 ms.

ORDERING INFORMATION

| | |
|------------------|--|
| ALP1300/A | LED panel with WC sign on the left, counterpart of incoming connector, user's manual, warranty card, production test report, insulation test report |
| ALP1300/B | LED panel with WC sign on the right, counterpart of incoming connector, user's manual, warranty card, production test report, insulation test report |

RECOMMENDED DIAGRAM SYMBOLS



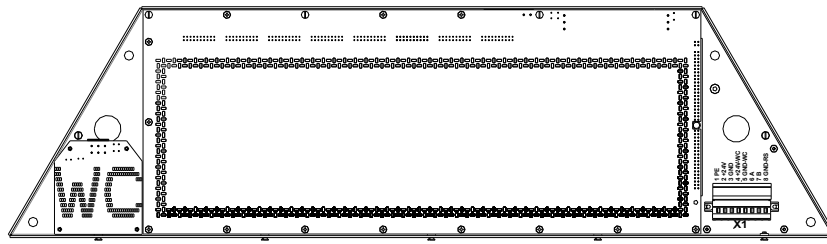
TERMINALS ASSIGNMENT

| Connector | PIN | Signal | Signal description |
|-----------|-----|---------|-----------------------------|
| X1 | 1 | PE | Unit frame |
| | 2 | +24V | Power supply, +24 V |
| | 3 | GND | Power supply, GND |
| | 4 | +24V-WC | WC sign power supply, +24 V |
| | 5 | GND-WC | WC sign power supply, GND |
| | 6 | A | RS485, A line |
| | 7 | B | RS485, B line |
| | 8 | GND-RS | RS485, ground |

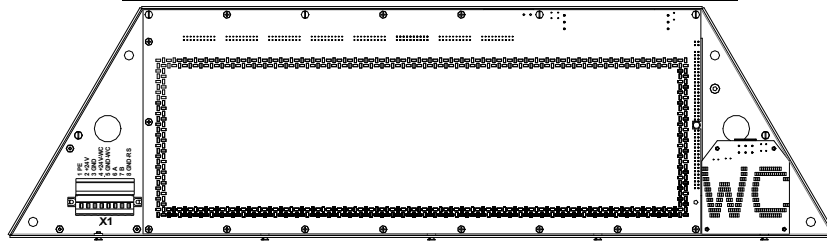
ALP1300/x

LED Panel for Rolling Stock

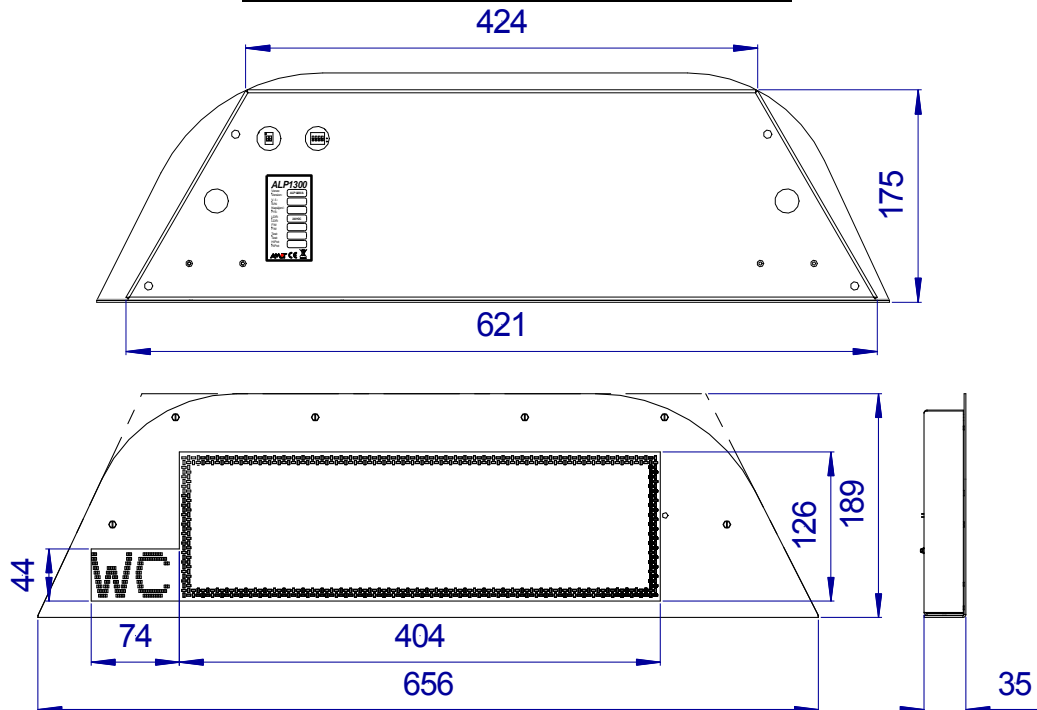
CONNECTOR LOCATION ON ALP1300/A



CONNECTOR LOCATION ON ALP1300/B



DIMENSIONS OF ALP1300/A PANEL



Information listed in this data sheet has only informative character. Binding data are mentioned in user's manual (alp1300x_g_en_xxx.pdf). Documentation and examples are available on www.amit.cz or on company CD.