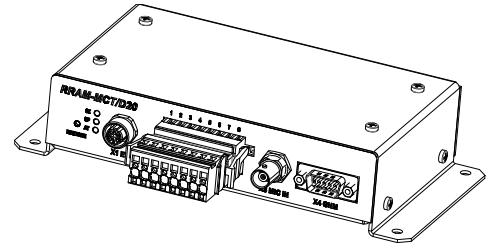


# RRAM-MCT/D20

IP audio digitizer

- Power supply 24 V DC PoE power supply according to IEEE 802.3af
- 2 × Digital input
- 2 × Output for LED indication
- Mounting on the wall, passive cooling
- Interface for RRAS-GNM connection
- Design according EN 50155:2007



## TECHNICAL DATA

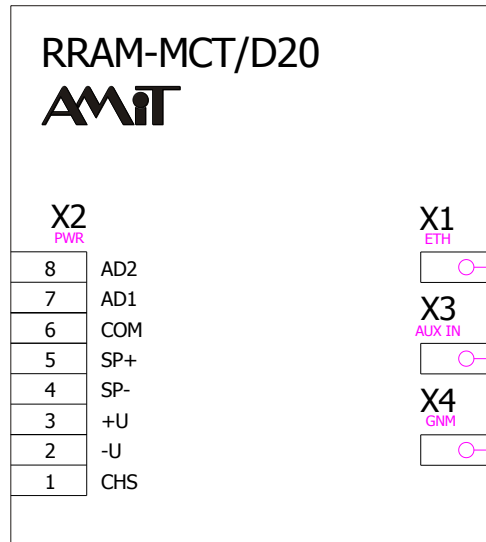
<b>Microphone unit connection</b>	1 × RRAS-GNM
Microphone	1 ×
Output for LED indication	2 ×
Button input	2 ×
Connection point	Connector D-sub DE-9 plug
<b>External audio input</b>	1 ×
Type of input	Microphone / line input
Connection point	BNC connector
<b>Audio output</b>	1 ×
Nominal power	Min. 5 W sinus
Recommended loudspeaker	Min. 8 Ω, min. 10 W
Connection point	WAGO 769-668/003-000
<b>PoE powering</b>	48 V DC ±10 %
Device class according to IEEE 802.3af	TBD
<b>Power supply voltage</b>	16.8 V to 33.6 V DC
Maximum power consumption	200 mA at 24 V DC
Connection point	WAGO 769-668/003-000
<b>Ethernet</b>	1 × 10/100 Mbps
Galvanic separation	Yes
Galvanic separation strength	1000 V AC / 1 minute *)
Connection point	M12 type connector according to IEC 61375-3-4 1
<b>Digital inputs</b>	2 × floating contact
Connection point	WAGO 769-668/003-000
<b>Others</b>	
Ingress protection rate	IP20
Operating temperature range	-40 °C to 70 °C
Storage temperature range	-40 °C to 70 °C
Weight	0.54 kg
Dimensions (w × h × d)	(205 × 102 × 45) mm

\*) Insulation must not be used for dangerous voltage separation.

## ORDERING INFORMATIONS

<b>RRAM-MCT/D20</b>	RRAM-MCT/D20 unit, WAGO connector counterpart, Routine testing protocol, Insulation testing protocol, Warranty certificate, Operation manual.
---------------------	---

## RECOMMENDED DRAWING SYMBOL



### CONNECTORS SPECIFICATION

Connector	Meaning
X1	Ethernet according to IEC 61375-3-4
X2	Power supply, Listening, Addressing
X3	External audio input
X4	GNM unit interface

### TERMINAL'S IDENTIFICATION

Connector	Terminal	Signal	Meaning of signal
X2	1	CHS	Unit chassis
	2	-U	Power supply, Ground
	3	+U	Power supply +24V
	4	SP-	Loudspeaker -
	5	SP+	Loudspeaker +
	6	COM	Addressing input ground
	7	AD1	Addressing input 1
	8	AD2	Addressing input 2

### MECHANICAL DIMENSIONS

