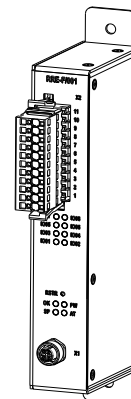


RRE-F/001

I/O unit with Ethernet interface

- 8 × digital input / output with galvanic isolation
- LED indication of input / output status
- 1 × Ethernet, connector M12
- PoE power supply according to IEEE 802.3af
- Mounting on base plate
- Design according to EN 50155:2007



TECHNICAL DATA

Digital inputs / outputs	8 × 24 V DC
I/O immunity against short-circuit	Yes
I/O resistance against short-circuit	Yes
Max. level of input signal	34 V DC
Logical 0 input	Min. -0.6 V, Max. 7 V
Logical 1 input	Min. 13 V, Max. 34 V
Output design	MOS
Output maximum switched current	8 × 1 A
Internal power supplying of outputs	24 V / Max. 80 mA
External power supply of outputs	24 V to 34 V DC *)
Connection point	Connector WAGO 769-671/003-000
Ethernet interface	1 ×
Communication rate	10 / 100 Mbps
Galvanic isolation	Yes
Galvanic isolation strength	1000 V AC / 1 minute **)
Connection point	M12 type connector according to IEC 61375-3-4
PoE	48 V DC ±10 %
Device class according to IEEE 802.3af	Class 0
Galvanic isolation	Yes
Galvanic isolation strength	1000 V AC / 1 minute **)
Maximum power consumption	9.6 W
Others	
Ingress protection rate	IP30 ***)
Operating temperature	-40 °C to 70 °C
Storage temperature	-40 °C to 70 °C
Maximum ambient humidity	< 95 % non-condensing
Weight	0.76 kg
Dimensions (w × h × d)	(35 × 234 × 80) mm

*) Is not required when overall output power consumption is lower than 80 mA.

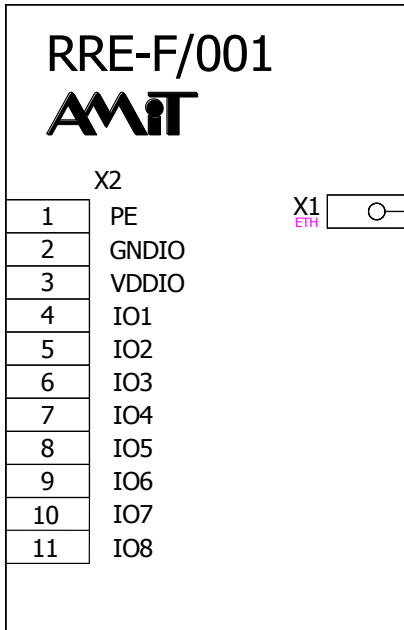
**) Isolation must not be used for dangerous voltage separation.

***) When all cable connectors are connected.

ORDERING INFORMATION

RRE-F/001	Remote I/O unit, WAGO connector counterpart, Certificate of Quality and Completeness, Routine testing protocol, Insulation testing protocol
------------------	---

RECOMMENDED DRAWING SYMBOL



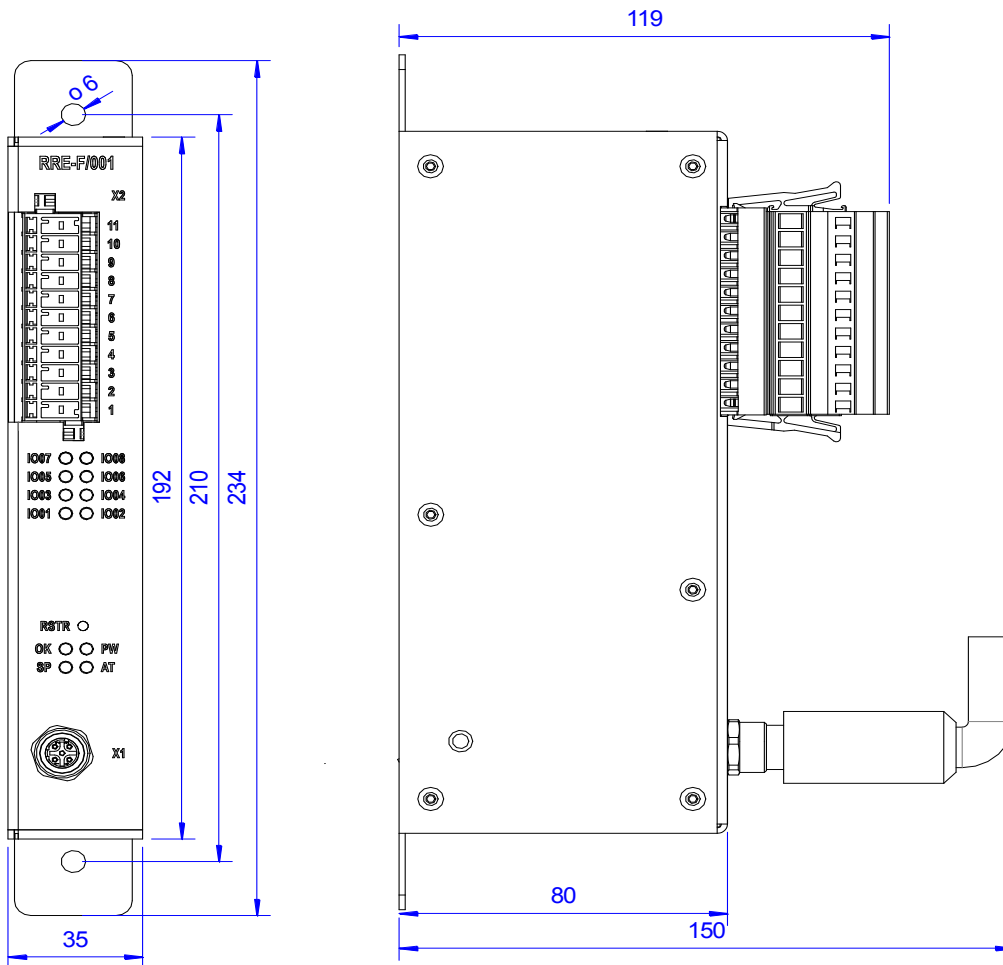
CONNECTORS SPECIFICATION

Connector	Description
X1	Ethernet
X2	Digital inputs

MEANING OF X2 CONNECTOR TERMINALS

PIN	Signal	Description
1	PE	Unit chassis
2	GNDIO	Ground input / output Dix
3	VDDIO	Supplying of outputs
4	DIO1	Digital input / output 1
5	DIO2	Digital input / output 2
6	DIO3	Digital input / output 3
7	DIO4	Digital input / output 4
8	DIO5	Digital input / output 5
9	DIO6	Digital input / output 6
10	DIO7	Digital input / output 7
11	DIO8	Digital input / output 8

MECHANICAL DIMENSIONS



Data provided are only tentative. Detail information can be found in Operation manual (rre-f001_g_en_xxx.pdf). Documentation and examples can be found at <http://www.amit-transportation.com/>,