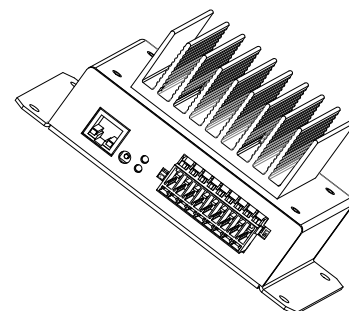


RRAS-PWA/A1

IP Amplifier for Rolling Stock

- The audio amplifier with power output $2 \times 30 \text{ W}$
- Digital transmission of audio over Ethernet
- LED indication
- On-wall mounting, passive cooling
- Designed in accordance with EN 50155



TECHNICAL DATA

Output power *)	
Permanent sinus power (THD = 1 %)	$2 \times 30 \text{ W}$
Peak music power	$2 \times 48 \text{ W}$
Outputs	
Min. load impedance	4Ω / channel **)
Connection	WAGO 769-669
Communication	
Interfaces	Ethernet 10/100 Mbps
Connection	RJ45, LED indication ACT and LINK
Power supply	
	16.6 V DC to 33.6 V DC
Max. power consumption	3.2 A at 24 V DC #)
Connection	WAGO 769-669
Others	
Cover protection rate	IP20
Operating temperature	$-40 \text{ }^\circ\text{C}$ to $70 \text{ }^\circ\text{C}$
Storage temperature	$-40 \text{ }^\circ\text{C}$ to $70 \text{ }^\circ\text{C}$
Max. ambient humidity	$< 95 \%$ non-condensing
Weight	870 g
Dimensions (w × h × d)	(157 × 66 × 112) mm
Software	Loader

*) At rated load impedance, power supply voltage $V_{IN} = 24 \text{ V DC}$ and ambient temperature $+25 \text{ }^\circ\text{C}$.

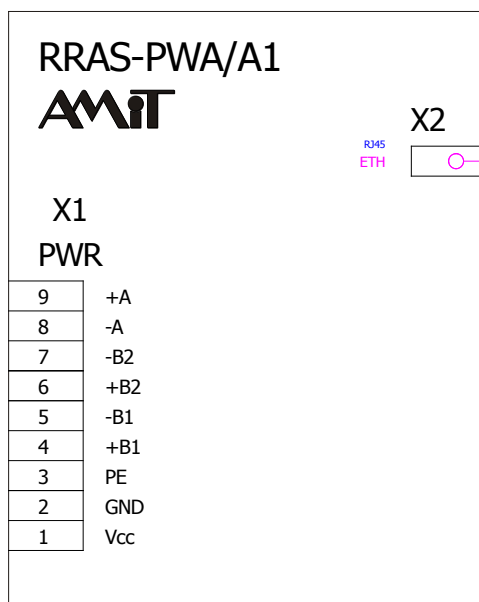
***) If channels B1 and B2 works simultaneously, than impedance for individual channel must be at least 8Ω .

#) At rated power $2 \times 30 \text{ W}$ into load 4Ω / channel and power supply voltage $V_{IN} = 24 \text{ V DC}$.

ORDERING INFORMATION

RRAS-PWA/A1	Amplifier, WAGO connector counterpart, user's manual, warranty card, production test report, insulation test report
-------------	---

RECOMMENDED DIAGRAM SYMBOL



TERMINALS ASSIGNMENT

Connector	PIN	Signal	Signal type on RRAS-PWA/A1
X1	1	Vcc	Power supply +24 V
	2	GND	Power supply, ground
	3	PE	Unit frame
	4	+B1	Output + of channel B1
	5	-B1	Output - of channel B1
	6	+B2	Output + of channel B2
	7	-B2	Output - of channel B2
	8	-A	Output - of channel A
	9	+A	Output + of channel A

PHYSICAL DIMENSIONS

