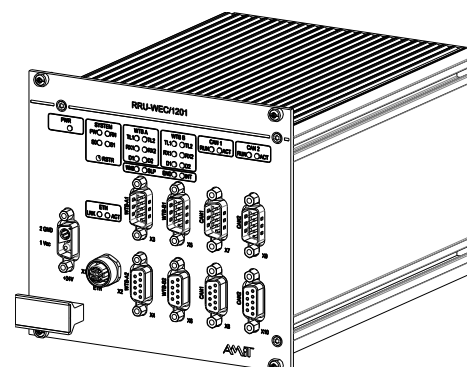


# RRU-WEC/1201

WTB / Ethernet / CAN gateway

- 1 × WTB interface (with doubled line)
- 1 × Ethernet (connector M12)
- 2 × CAN interface (connector concatenation)
- Power supply 24 V DC
- Design according to EN 50155:2007
- WTB interface meets requirements of IEC 61375-1:2012 standard



## TECHNICAL DATA

<b>WTB interface</b>	1 × (doubled line)
Communication rate	1 Mbps ±0.01 %
Galvanic isolation	Yes <sup>1)</sup>
Connection point	4 × D-sub DE-9, acc. to EN 61375-2-1:2012, connector fixing by M3 bolt
<b>Ethernet interface</b>	Yes <sup>1)</sup>
Communication rate	100 Mbps
Galvanic isolation	Yes <sup>1)</sup>
Connection point	M12 connector according to IEC 61375-3-4:2014, D-coding
<b>CAN interface</b>	2 ×
Galvanic isolation	Yes <sup>1)</sup>
Characteristic line impedance	120 Ω ±10 %
Terminating resistor	External <sup>2)</sup>
Connection point	2 × D-sub DE-9 (concatenation) according to IEC 61375-3-3:2012, connectors fixing by UNC4-40 threaded bolt
<b>Power supply</b>	16.8 V to 30 V DC
Power consumption	Max. 600 mA
Connection point	Connector D-sub 2W2C, socket
<b>Others</b>	
Mechanics	Aluminium tube into rack
Mounting	4 × M2,5×12
Ingress protection rate	IP20
Operating temperature range	-40 °C to 70 °C
Storage temperature range	-40 °C to 70 °C
Maximum ambient humidity	< 95 % non-condensing
Weight	1.62 kg
Dimensions (stand. unit) (w × h)	28 HP × 3U <sup>3)</sup>
Dimensions (w × h × d)	(142 × 129 × 186) mm

<sup>1)</sup> Insulation strength of galvanic isolation is 1000 V AC / 1 minute. Galvanic isolation must not be used for dangerous voltage separation.

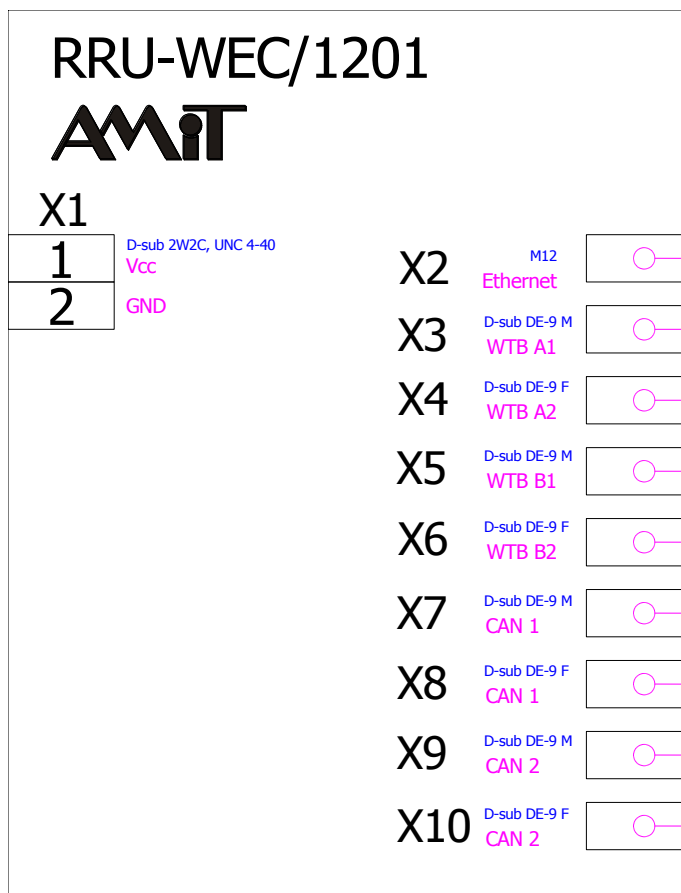
<sup>2)</sup> Terminating resistor is not part of delivery

<sup>3)</sup> 1 HP (horizontal pitch) = 0.2 inch (5.08 mm),  
1 U (rack unit) = 1.75 inch (44.45 mm).

## ORDERING INFORMATION

<b>RRU-WEC/1201</b>	WTB / Ethernet / CAN gateway, Routine test protocol, Isolation test protocol, Certificate of the product's quality and completeness.
---------------------	--

## RECOMMENDED DRAWING SYMBOL



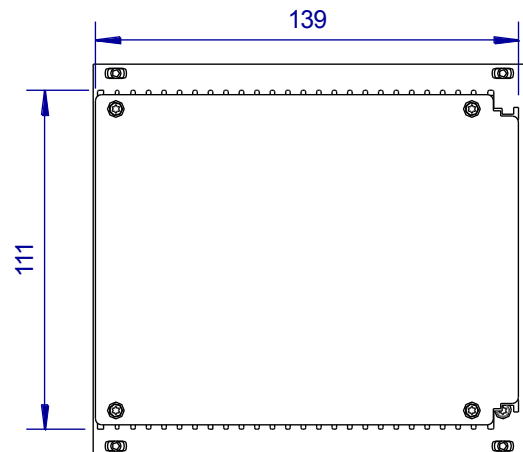
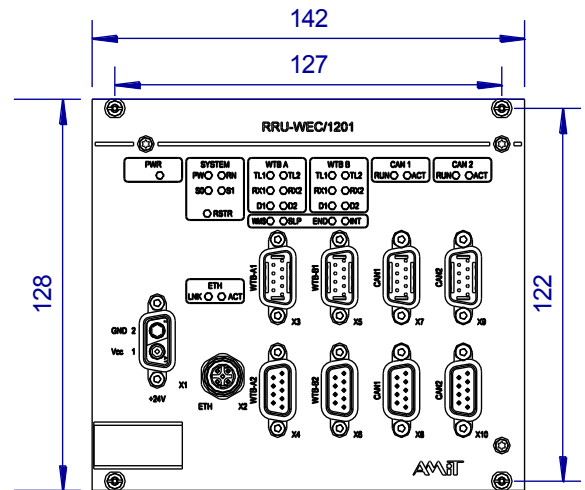
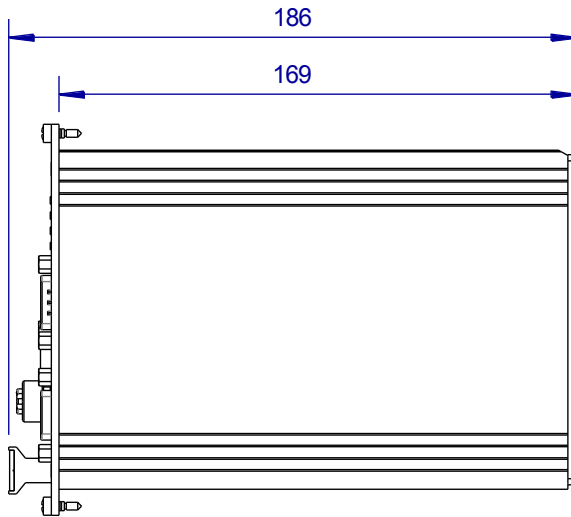
## TERMINAL IDENTIFICATION

Connector (from left)	PIN	Label	Description
X1	1	Vcc	Power supply, +24 V DC
	2	GND	Power supply, ground
X2		ETH	Ethernet
X3		WTB A1	WTB line A, direction 1
X4		WTB A2	WTB line A, direction 2
X5		WTB B1	WTB line B, direction 1
X6		WTB B2	WTB line B, direction 2
X7		CAN 1	CAN line 1, connector 1
X8		CAN 1	CAN line 1, connector 2
X9		CAN 2	CAN line 2, connector 1
X10		CAN 2	CAN line 2, connector 2

# RRU-WEC/1201

WTB / Ethernet / CAN gateway

## MECHANICAL DIMENSIONS



WTB / Ethernet gateway is supplied for mounting into 19" subrack. After the gateway is put into rack, it should be fixed in corners with four M2,5×12 screws in plastic sleeves.

For mounting the gateway into proper frame, 4 screws with M3.5 thread can be used (not included in the delivery). In this case, it is necessary to remove four plastic bushings from gateway's front panel together with four M2 screws. The metal box with gateway can be mounted arbitrarily into frame, but connectors must be always oriented horizontally. The gateway box must be always fastened so that its weight does not rest only the four mounting screws mentioned above.

Data provided in this datasheet are informative only. Documentation can be downloaded from [www.amit-transportation.com](http://www.amit-transportation.com).