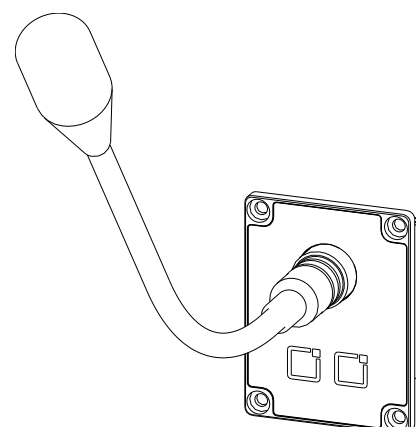


RRAS-GNM/x

Microphone unit

- Two buttons control
- Text / Pictograms button labels
- Flexible gooseneck 440 mm / 800 mm
- LED indicators
- Direct connection to RRAM-MCT/D20
- Mounting into panel
- Design according to EN 50155:2007



TECHNICAL DATA

Microphone	1 ×
Frequency range	100 Hz to 16 kHz
Flexible gooseneck length	440 mm / 800 mm *)
Buttons	2 ×
Buttons lifespan	10 ⁶ presses
Button backlight	Yes, software controlled
Indication elements	2 × LED indicator
Connection point	D-sub DE-9 socket, UNC4-40
Others	
Front panel	Duralumin + foil
Button print	Text / Pictograms *)
Surface finish	
– front panel	Powder coating
– rear cover	Powder coating
Colour	
– front panel	Black, RAL 9005
– rear cover	Black, RAL 9005
– foil	Depends on variant
Ingress protection rate	
– front panel	IP40
– rear cover	IP20
Operating temperature range	-40 °C to 70 °C
Storage temperature range	-40 °C to 70 °C
Maximum ambient humidity	< 95 % non-condensing
Mounting	Mounting on panel, 4 × M4
Weight	0.40 kg
Dimensions w/o gooseneck (w × h × d)	(86 × 65 × 42) mm

*) Depends on variant.

ORDERING INFORMATION

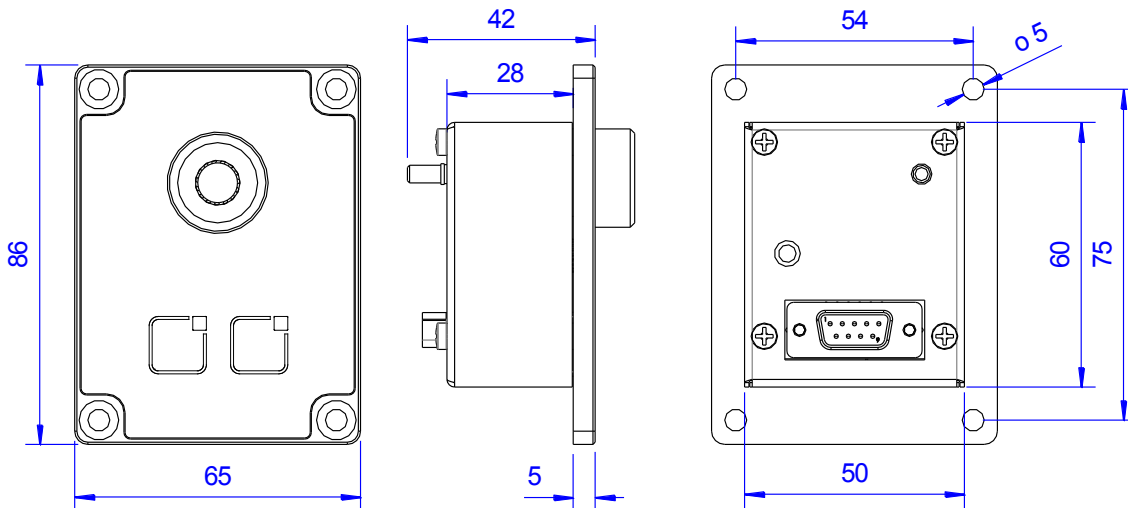
RRAS-GNM/A	Microphone unit *) – 440 mm, Text variant
RRAS-GNM/A11	Microphone unit *) – 440 mm, Pictograms variant
RRAS-GNM/B	Microphone unit *) – 800 mm, Text variant
RRAS-GNM/B11	Microphone unit *) – 800 mm, Pictograms variant

*) Microphone unit includes: **RRAS-GNM/x** unit, Routine testing protocol, Insulation testing protocol, Certificate of product's quality and completion.

RECOMMENDED DRAWING SYMBOL

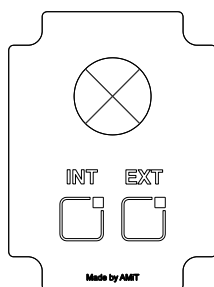


MECHANICAL DIMENSIONS



FRONT FOIL

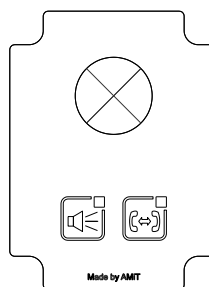
Text Variant



Colour:

Foil - RAL 9005
Text - RAL 9010

Pictograms Variant



Colour:

Foil - RAL 7016
Text - RAL 9010

MICROPHONE LENGTH

