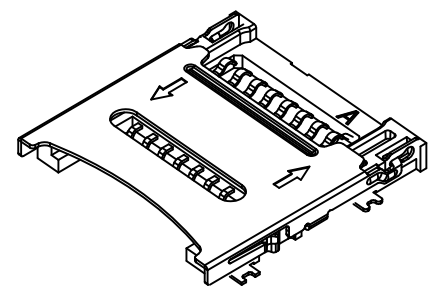


Recommended PCB Layout
 General Tolerance: ± 0.05
 Solder Area Component Outline

Ordering Grid
MEM2067 - **02** - **180** - **00** - **A** Request Samples and Quotation
 Switch: 02 = Without Switch
 Locating Post: 00 = Without
 Packing Options: A = Tape & Reel
 (Quantity per Reel: 1000 pcs)

Micro SD Card Pin Out		
Pin	Name	Description
P1	DAT2	Data Bit 2
P2	CD/DAT3	Card Detect/Data Bit 3
P3	CMD	Command Line
P4	VDD	Supply Voltage 2.7V/3.6v
P5	CLK	Clock
P6	VSS	Ground
P7	DAT0	Data Bit 0
P8	DAT1	Data Bit 1



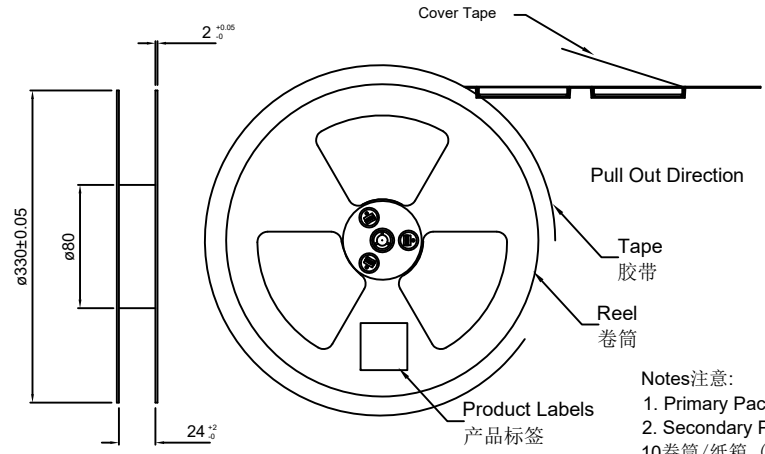
Specifications 规格
Material 物料
 Plastic Housing 塑胶外壳: LCP UL94V-0, Black
 Contact Terminal 接触端子: Copper Alloy
 Metallic Shell 金属外壳: Stainless Steel
 SMT Hold-Down 贴片按住: Stainless Steel
Plating 电镀
 Contact Terminal 接触端子部分电镀:
 Underplating 底层电镀: 50 μ " Nickel all over
 Contact Area 接触部分: Gold Flash
 Soldering Area 焊接部分: Tin
 SMT Hold-Down 电镀表面贴装按住:
 Underplating 底层电镀: Nickel
 Rear Hold Down (1) 后方按住: Tin
 Front Hold Down (2) 前按住: Gold Flash

Electrical 电气
 Voltage Rating 电压额定值: 100 V DC
 Current Rating 电流额定值: 0.5 A max.
 Contact Resistance 接触电阻值: 100 m Ω max.
 Card Detection Switch
 Contact Resistance 接触电阻值: 500 m Ω max.
 Insulation Resistance 绝缘电阻值: 1000 M Ω max.
 Dielectric Withstanding Voltage 耐电压: 500V AC for 1 min.

Mechanical & Environmental 机械 & 环境
 Operating Temperature 工作温度: -40°C to +85°C
 Durability 耐久性: 5000 Cycles

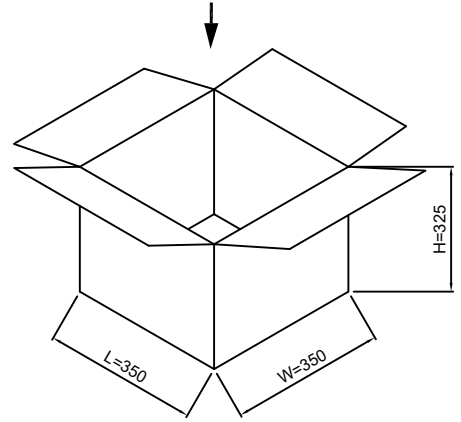
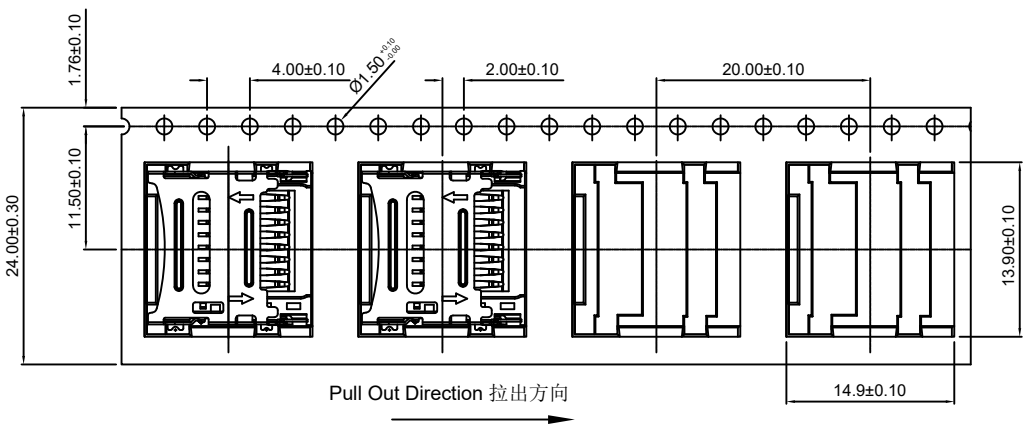
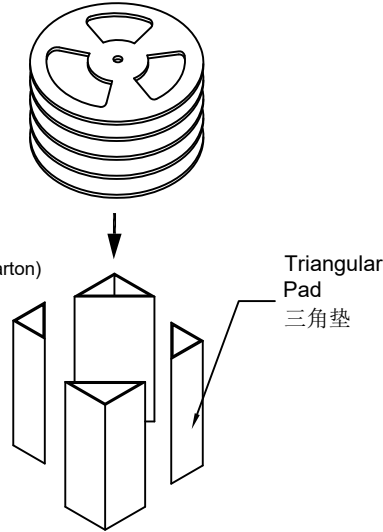
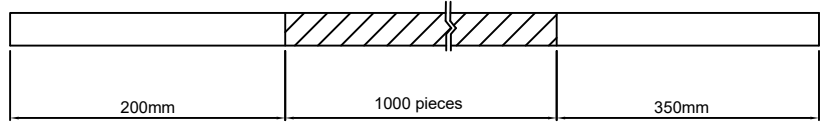
Part Number MEM2067		Product Description Micro SD Memory Card Connector SMT, Hinged, 1.80mm Profile		GCT Global Connector Technology www.gct.co		
Drawing Date 10th January 2014						
By AJO	Detail MEM2067 B PCN	Tolerances (Except as Noted) Length X, ± 0.35 X.X ± 0.25 X.XX ± 0.15 X.XXX ± 0.10		Angle X° $\pm 5^\circ$ X.X° $\pm 4^\circ$ X.XX° $\pm 3^\circ$ X.XXX° $\pm 2^\circ$	Units: Metric (mm)	
Revision B	Date 17/03/16	3rd Angle Projection		 <small>This drawing is confidential and copyright of Global Connector Technology, Ltd (GCT). This drawing must not be copied or disclosed without written consent. E & OE</small>		
						Not to Scale

H
G
F
E
D
C
B
A



Product no.	PCS/Reel	Reels/Carton	PCS/Carton
MEM2067	1000	10	10000

- Notes注意:
1. Primary Packing 第一重包装: 1K pcs/reel 1000件/卷筒
 2. Secondary Packing 第二重包装: 10 reel/carton (10K pcs/carton) 10卷筒/纸箱 (10000件/纸箱)
 3. Net Weight/carton 净重/箱: 9.30Kg
 4. Gross Weight/carton 毛重/箱: 10.50Kg



Part Number		Product Description	
MEM2067		Micro SD Memory Card Connector	
Drawing Date		SMT, Hinged, 1.80mm Profile	
10th January 2014			
By	AJO	Tolerances (Except as Noted)	Units:
Detail	MEM2067 B PCN	Length X ± 0.35 X.X ± 0.25 X.XXX ± 0.15	Metric (mm)
Revision	B	Angle X ° ± 5° X.X° ± 4° X.XXX° ± 3°	3rd Angle Projection
Date	17/03/16	X.XXX ± 0.10	



This drawing is confidential and copyright of Global Connector Technology, Ltd (GCT). This drawing must not be copied or disclosed without written consent. E & OE

GCT
Global Connector Technology
www.gct.co

Not to Scale	Drawn By AJO	Sheet No. 3/3
--------------	--------------	---------------