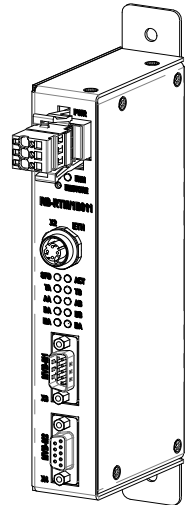


RB-RTM/1B011

MVB / Ethernet converter

- 1 × MVB interface (in EMD version, doubled line)
- 1 × Ethernet interface
- Power supply voltage 24 V DC
- Complies with EN 50155 standard
- MVB interface complies with IEC 61375-3-1:2012 standard



TECHNICAL DATA

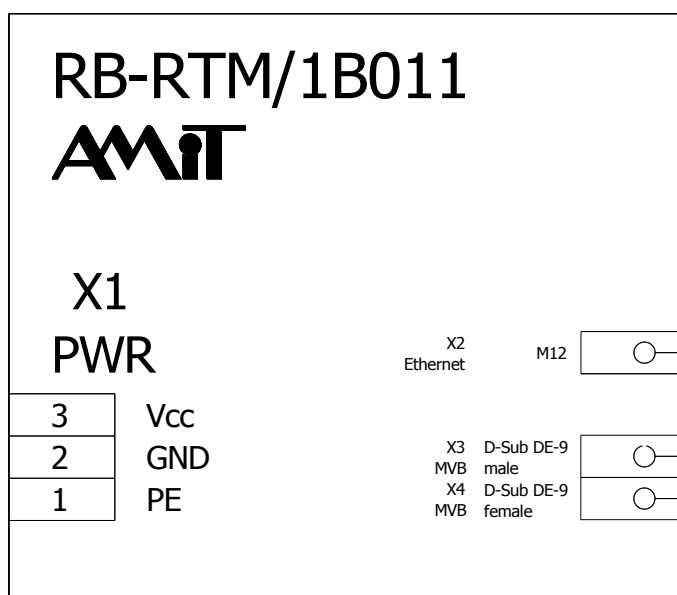
MVB	1 × (doubled line)
Class	Class 1
Communication rate	1.5 Mbps ± 0.01 %
Medium type	EMD
Galvanic separation	Yes *)
Connectors	2 × D-sub DE-9 (concatenation) connector fixing by M3 bolt
Ethernet	1 ×
Communication rate	10/100 Mbps
Galvanic separation	Yes *)
Connector	M12 connector, D coding, according to IEC 61375-3-4 ed. 1
Power supply	16,6 V to 33,6 V DC
Power consumption	Max. 0.1 A at 24 V DC
Others	
Ingress protection rate	IP20
Operation temperature	-40 °C to 70 °C
Storage temperature	-40 °C to 70 °C
Maximum ambient humidity	< 95 %, non-condensing
Mounting	2 × ø 6 mm hole
Weight	900 g
Dimensions (w × h × d)	(33 × 228 × 113) mm

*) Insulation strength of galvanic separation is 500 V AC. Insulation resistance is greater than 1 MΩ. Galvanic separation must not be used for dangerous voltage separation.

ORDERING INFORMATION

RB-RTM/1B011	Converter, supplying connector counterpart, Routine testing protocol, Insulation testing protocol, Warranty certificate, Operation manual.
TRM-MVB/M	MVB line termination - plug, data sheet, Warranty certificate
TRM-MVB/F	MVB line termination - socket, data sheet, Warranty certificate
CAN 09F-MC/A	Connector D-sub DE-9 for cable, socket, crimp-on terminals
CAN 09M-MC/A	Connector D-sub DE-9 for cable, plug, crimp-on terminals

RECOMMENDED DRAWING SYMBOL



CONNECTOR X1 (POWER SUPPLY)

Pin	Signal	Meaning
1	PE	Module chassis.
2	GND	Power supply, ground
3	+24V	Power supply, +24 V DC

CONNECTOR X2 (ETHERNET)

Pin	Signal	Meaning
1	Tx+	Positive conductor for data transmission
2	Rx+	Positive conductor for data reception
3	Tx-	Negative conductor for data transmission
4	Rx-	Negative conductor for data reception
Shielding	SHLD	Connected to PE

CONNECTOR X3 AND X4 (MVB)

Pin	Signal	Meaning
1	A.Data_P	A line positive wire
2	A.Data_N	A line negative wire
3	-	Not used
4	B.Data_P	B line positive wire
5	B.Data_N	B line negative wire
6	A.Term_P	A line termination, positive pole
7	A.Term_N	A line termination, negative pole
8	B.Term_P	B line termination, positive pole
9	B.Term_N	B line termination, negative pole
Shielding	SH_MVB	Connected to PE

RB-RTM/1B011

MVB / Ethernet converter

MECHANICAL DIMENSIONS

