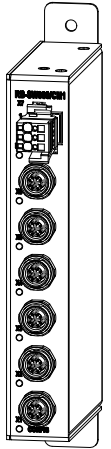


# RB-SW060/CM1

Configurable Ethernet switch

- 6 × port 1 Gbps
- VLAN 802.1Q
- QoS
- Port aggregation
- Port mirroring
- Operation diagnostics
- Connection through M12 connectors
- Power supply +24 V DC
- Design according to EN 50155



## TECHNICAL DATA

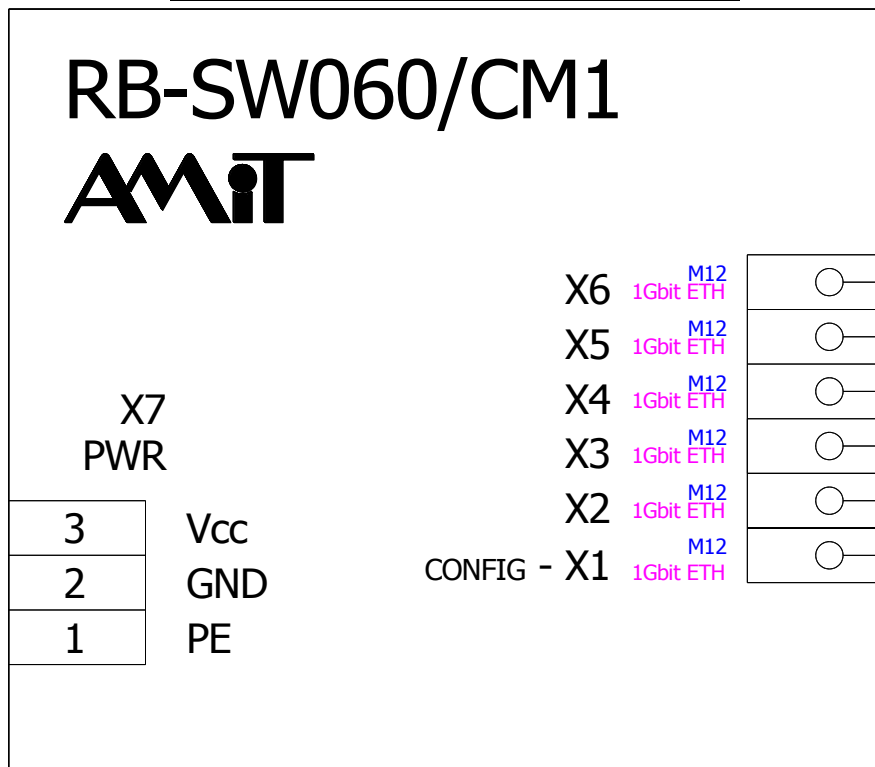
Number of ports	6
Communication rate	6 × 1 Gbps
Connection point	6 × connector M12, X coding
Galvanic separation	yes
Galvanic separation strength	1000 V AC / 1 minute *)
Power supply voltage	16.8 V to 33.6 V DC
Power consumption	Max. 0.3 A at 24 V DC
Connection point	Connector WAGO 769-663/003-000
Cover	IP20
Operating temperature range	-40 °C to 70 °C
Storage temperature range	-40 °C to 70 °C
Maximum ambient humidity	< 95 % non-condensing
Mounting	2 × hole ø 5.5 mm
Weight	0.97 g
Dimensions (w × h × d)	(33 × 233 × 113) mm

\*) Insulation may not be used for dangerous voltage separation.

## ORDERING INFORMATION

<b>RB-SW060/CM1</b>	Ethernet switch, Power supply connector counterpart, Certificate of product quality and completeness, Routine testing protocol, Insulation testing protocol
<b>M12M08X-MC/A</b>	M12 X-coded connector counterpart

## RECOMMENDED DRAWING SYMBOL



### CONNECTORS SPECIFICATION

Connector	Meaning
X1	Port 1 – 1 Gbps
X2	Port 2 – 1 Gbps
X3	Port 3 – 1 Gbps
X4	Port 4 – 1 Gbps
X5	Port 5 – 1 Gbps
X6	Port 6 – 1 Gbps
X7	Power supply

### CONNECTOR X7 (POWER SUPPLY)

Terminal	Label	Meaning
1	PE	Module chassis.
2	GND	Power supply, ground
3	Vcc	Power supply, +24 V DC

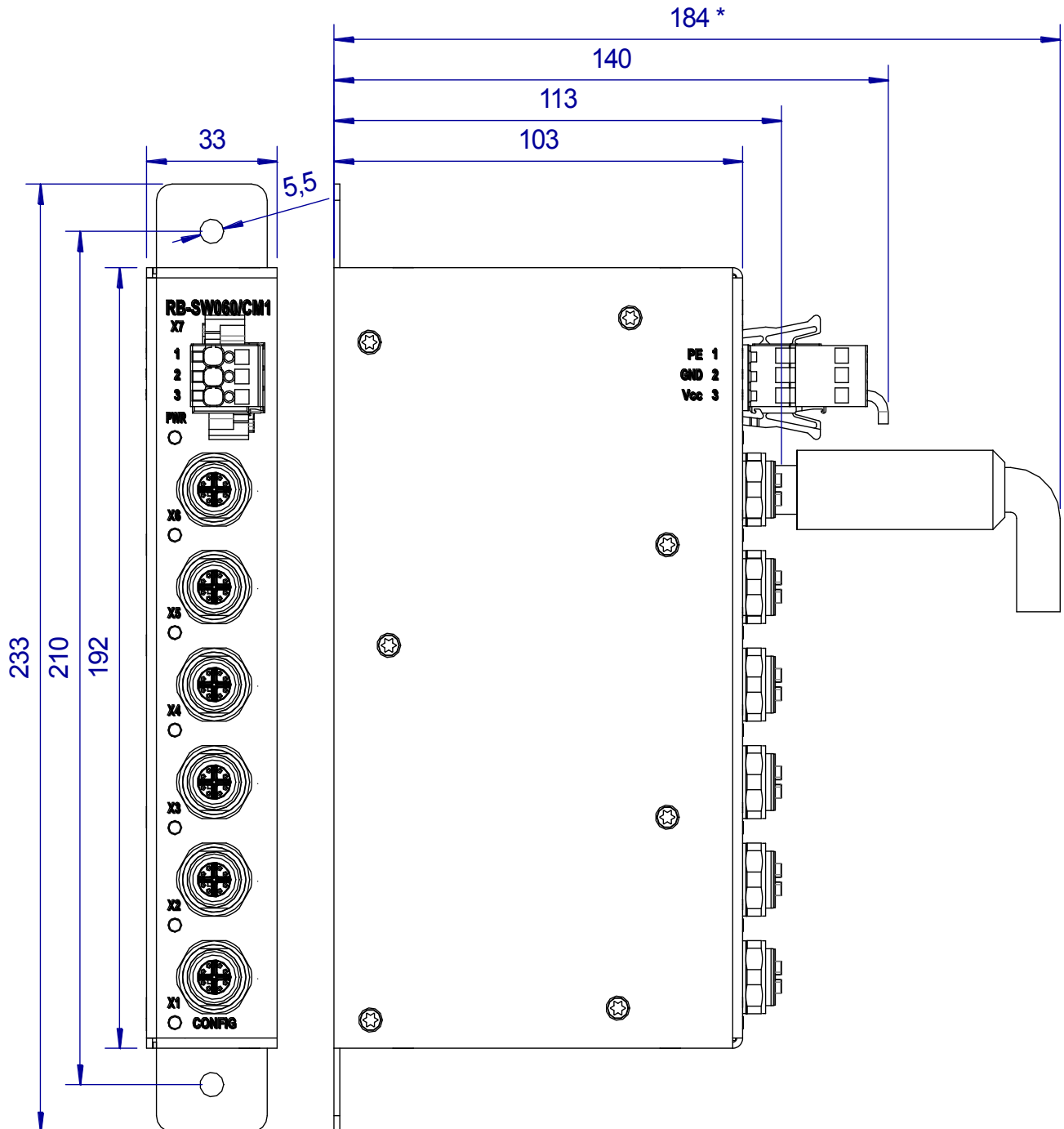
### MEANING OF LEDS

LED	Status	Meaning
PWR	Lights	Power supply OK
X1 to X6	Lights	Cable connection detected
X1 to X6	Blinks	Running communication

# RB-SW060/CM1

Configurable Ethernet switch

## MECHANICAL DIMENSIONS



\*) depends on type of used connector, all dimensions are in mm

Data provided in this datasheet are only informative. Detailed information can be found in operational manual (rb-sw060cm1\_g\_en\_xxx.pdf). Documentation can be downloaded from [www.amit-transportation.cz](http://www.amit-transportation.cz) web site.