



## 8-Port and 16-Port Industrial Serial Device Server

- ■ SE5408A/SE5408A2-N
- SE5416A/SE5416A2-N

### RoHS compliant

- Standard 19-inch rack-mount high metal housing
- Industrial EMC protection
- TCP Server/Client, UDP, Virtual COM and Tunneling modes supported
- Dual 10/100Mbps Ethernet for networking redundancy
- Remotely monitor, manage, and control industrial field devices
- Configuration via Web Browser / Serial Console / Telnet Console / Windows Utility
- Relay out indicator for Network link-status
- LCM display with 4-key touch pad for configuration
- Remote firmware upgrade
- Isolation (for SE5408A / SE5416A)
- Adjustable termination & pull high/low resistors

### Make Serial Devices Ready to the Network

The Industrial Serial Device Server is a gateway between Ethernet (TCP/IP) and serial signal communications; allowing almost any serial device to be connected to a new or existing Ethernet network.

By encapsulating serial data and transporting it over Ethernet, the Serial Device Server offers full-duplex and bi-directional data seamlessly between the serial ports and the Ethernet network.

### Easy to Use

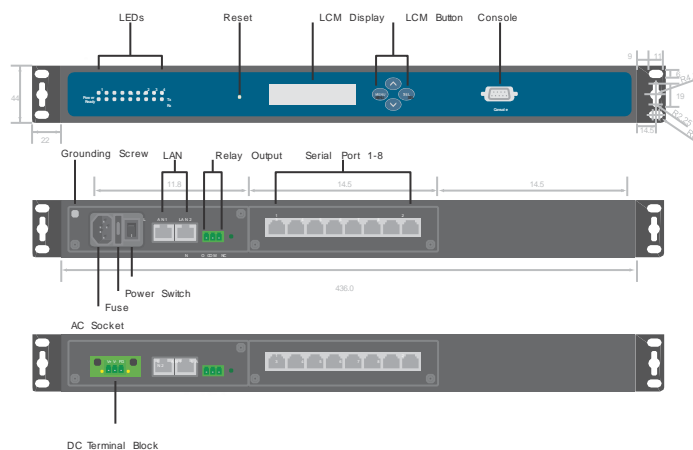
Flexible configuration options enable this unit to be setup over Ethernet by Telnet, Web browser, Serial Console, or our Windows utilities. Packed in a rugged metal housing with 19-inch rack mount and 100-240VAC or 24-48VDC power input range.

The LAN port 1 and LAN port 2 can be assigned to different subnets. This feature gives the user flexible network manageability. Alternatively, the LAN port 1 and LAN port 2 can be assigned to the same IP network. It will enable the network to recover rapidly from failure and fault, so that the failures and faults will be bypassed.

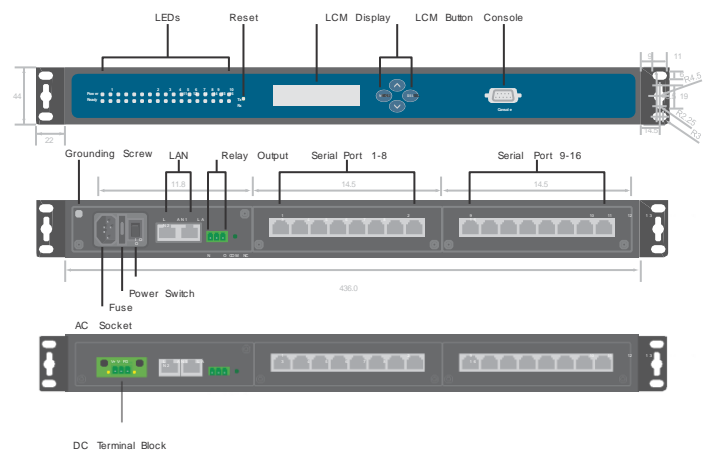
### Specially Designed for Automation Fields

In industrial and manufacturing automation fields, The Serial Device Server is used as a field device to connect the Ethernet through TCP/IP protocol directly. It is also specially designed for conjunction with PLCs, HMIs, Barcode Scanners, Data Terminals, Electronic Kanbans, Shop Floor Control Systems, and Pick-to-Light Systems.

SE5408A/SE5408A2 Front Panel



SE5416A/SE5416A2 Front Panel



# 8-Port and 16-Port Industrial Serial Device Server

 SE5408A/SE5408A2-N  
SE5416A/SE5416A2-N

Specifications	
<b>Network Interface</b>	
Ethernet Port	2x RJ-45
LAN-port Mode	Dual Subnets or LAN Redundancy
Compliance	IEEE 802.3 10BASE-T / IEEE 802.3u 100BASE-TX
<b>Serial Interface</b>	
Connector	RJ-45
Ports	8 or 16 Ports
Mode	RS-232/422/485, software selectable. For the different modes supported in each model, refer to the ordering information.
Baud Rate	50~921,600 bps
Parity Data	None, Odd, Even, Space, Mark
Bits Stop	5,6,7,8
Bits Flow	1,2
Control	None, Xon/Xoff, RTS/CTS (RS-232 only)
*Isolation	2.5 KV (Isolation models only)
<b>Power Characteristics</b>	
Connector	IEC 60320-1 C14 AC Power Inlet (AC models) / 5.08mm 3-pin Lockable Terminal Block (DC models)
Input Voltage	AC 100~240V (AC Models) / 24-48 VDC (DC Models)
Power Consumption (max.)	0.21A @100 VAC / 0.54A @24 VDC
Power Redundancy	No
Reverse Polarity Protection	Yes (DC Input only)
<b>Mechanicals</b>	
Dimensions(W x H x D)	436 mm x 43.5 mm x 200 mm
Installation	19" Rack Mount
Reset Button	Yes
Weight	3.2kg (16 ports) / 3.0 kg ( 8 ports)
<b>Environmental Limits</b>	
Operating Temperature	-20°C ~ 70°C (-4°F ~ 158°F)
Storage Temperature	-40°C ~ 85°C (-40°F ~ 185°F)
Ambient Relative Humidity	5 ~ 95% RH, (non-condensing)
<b>Software</b>	
Protocols	IPv4, ICMP, TCP, UDP, DHCP Client, SNMP, HTTP, Telnet, RFC2217, NTP, DNS, SMTP, Syslog
Configuration	Serial Manager, Web UI, Serial console, Telnet
Virtual COM	Windows / Linux redirection software
<b>Link Modes</b>	
TCP Server	4-connection mode supports Raw Data, Virtual COM or Reverse Telnet
TCP Client	Dual destinations support Raw Data or Virtual COM
UDP	Up to 8 ranges of IPs
Warranty	5 years

Ordering Information			
	Model Name	P/N	Description
Isolation	SE5416A	1P1SE5416A0001G	16-Port Industrial Serial Device Server, RS-232, AC Inlet, US Plug
	SE5416A-DC	1P1SE5416A0002G	16-Port Industrial Serial Device Server, RS-232, DC TB3
	SE5416A-S5	1P1SE5416A0003G	16-Port Industrial Serial Device Server, RS-422/485, AC Inlet, US Plug
	SE5416A-S5-DC	1P1SE5416A0004G	16-Port Industrial Serial Device Server, RS-422/485, DC TB3
	SE5416A-EU	1P1SE5416A0011G	16-Port Industrial Serial Device Server, RS-232, AC Inlet, EU Plug
	SE5416A-S5-EU	1P1SE5416A0013G	16-Port Industrial Serial Device Server, RS-422/485, AC Inlet, EU Plug
	SE5408A	1P1SE5408A0001G	8-Port Industrial Serial Device Server, RS-232, AC Inlet, US Plug
	SE5408A-DC	1P1SE5408A0002G	8-Port Industrial Serial Device Server, RS-232, DC TB3
	SE5408A-S5	1P1SE5408A0003G	8-Port Industrial Serial Device Server, RS-422/485, AC Inlet, US Plug
	SE5408A-S5-DC	1P1SE5408A0004G	8-Port Industrial Serial Device Server, RS-422/485, DC TB3
	SE5408A-EU	1P1SE5408A0011G	8-Port Industrial Serial Device Server, RS-232, AC Inlet, EU Plug
	SE5408A-S5-EU	1P1SE5408A0013G	8-Port Industrial Serial Device Server, RS-422/485, AC Inlet, EU Plug
Non-Isolation	SE5416A2-N-DC	1P1SE5416A200CG	16-Port Industrial Serial Device Server, RS-232/422/485 Software Selectable, DC TB3
	SE5416A2-N-US	1P1SE5416A200BG	16-Port Industrial Serial Device Server, RS-232/422/485 Software Selectable, AC Inlet, US Plug
	SE5416A2-N-EU	1P1SE5416A201BG	16-Port Industrial Serial Device Server, RS-232/422/485 Software Selectable, AC Inlet, EU Plug
	SE5408A2-N-DC	1P1SE5408A2006G	8-Port Industrial Serial Device Server, RS-232/422/485 Software Selectable, DC TB3
	SE5408A2-N-US	1P1SE5408A2005G	8-Port Industrial Serial Device Server, RS-232/422/485 Software Selectable, AC Inlet, US Plug
	SE5408A2-N-EU	1P1SE5408A2015G	8-Port Industrial Serial Device Server, RS-232/422/485 Software Selectable, AC Inlet, EU Plug
Optional Accessories			
Power Adapter-AD17-24C (US-Y)	50500151240002G	Y-Type power adaptor, 100-240VAC input, 0.6A @ 24VDC output, US plug	
Power Adapter-AD17-24D (EU-Y)	50500151240012G	Y-Type power adaptor, 100-240VAC input, 0.6A @ 24VDC output, EU plug	
ADP-DB9(F)-TB5	59906231G	Female DB9 to Female 3.81mm TB5 Converter	
CBL-RJ45(8P)-DB9(M)-90	50891781G	RJ45 to DB9 Male Cable, 90cm	
CBL-RJ45(8P)-DB9(M)-200	50891951G	RJ45 to DB9 Male Cable, 200cm	
CBL-RJ45(8P)-DB9(F)-90	50891791G	RJ45 to DB9 Female Cable, 90cm	
CBL-RJ45(8P)-DB9(F)-90-C	50891971G	RJ45 to DB9 Female Cross Over Cable, 90cm	
CBL-RJ45(8P)-DB9(F)-200-C	50891961G	RJ45 to DB9 Female Cross Over Cable, 200cm	
RMK-718-Black	70100000000040G	Rack Mount Mounting-Kit, Black	
Power Cable (US)	50801041G	6 feet Power Cable, US	
Power Cable (EU)	50801051G	6 feet Power Cable, EU	
Fuse	59907561G	250V, 2A, 20mm (length) * 5mm (diameter)	

Regulatory Approvals					
EMI	EN 55022: 2010, EN 55024: 2010, FCC Part 15B, Class A				
EMS					
Test	Item		Value	Level	Criteria
IEC 61000-4-2	ESD	Enclosure Contact	8 kV	4	B
		Enclosure Air	15 kV		B
IEC 61000-4-3	RS	Enclosure Ports	10 V/m	3	A
IEC 61000-4-4	EFT	Signal Ports	2 kV	4	B
		DC Power Ports	2 kV	3	B
		AC Power Ports	4 kV	4	B
IEC 61000-4-5	Surge	Signal Ports	2 kV line-to-earth	3	B
		Signal Ports	2 kV line-to-earth	3	B
		DC Power Ports	1 kV line-to-earth, 1 kV line-line	2	A
		AC Power Ports	4 kV line-to-earth, 2 kV line-line	4	A
IEC 61000-4-6	CS	Signal Ports	10 V	3	A
		DC Power Ports			
		AC Power Ports			
IEC 61000-4-8	PFMF	Enclosure Ports	10 A/m continuous	3	A
IEC 61000-4-11	Dip	AC Power Ports	Dips: >95% dip, 30% reduction	-	A
			Interruptions: >95%	-	B
Safety	EN 60950-1				
Shock	IEC 60068-2-27				
Freefall	IEC 60068-2-32				
Vibration	IEC 60068-2-64				
MTBF	TBD				
RoHS II	Yes				



ООО «ЕвроМобайл» - эксклюзивный дистрибьютор Ator в России, Украине и СНГ

#### ЕвроМобайл – Россия

Санкт-Петербург, пр. Энгельса, д. 71, оф. 313  
+7 (812) 331-75-76, 8 800 555-75-76  
[www.euromobile.ru](http://www.euromobile.ru), [info@euroml.ru](mailto:info@euroml.ru)

#### ЕвроМобайл – Украина

Запорожье, Инженерная пл., д 1  
+380 (61) 213-41-77  
[www.euromobile.com.ua](http://www.euromobile.com.ua), [info@euroml.com.ua](mailto:info@euroml.com.ua)

