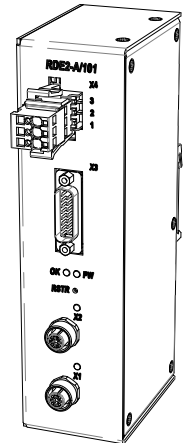


# RDE2-A/101

Analogue inputs unit with Ethernet interface

- 4 × Analogue input with GO
- 2 × Ethernet, communication speed 10/100 Mbps
- Power supply 24 V DC
- DIN bar mounting
- Design according to EN 50155:2007



## TECHNICAL DATA

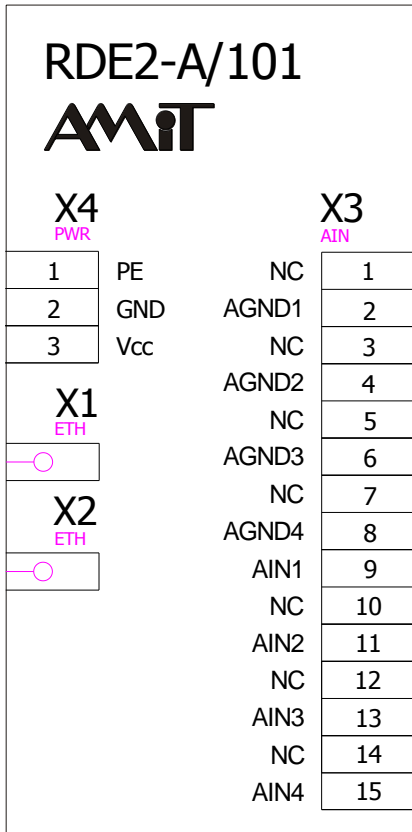
<b>Analogue input</b>	4 ×
Input range / Resolution 1 bit	0 V to +10 V / 2.45 mV
Galvanic separation	Yes, all channels mutually
Insulation strength	1000 V AC / 1 minute *)
Sampling period	Adjustable 10 ms – 1 min
Connection point	Connector D-sub DA-15 plug, (UNC4-40 thread)
<b>Ethernet interface</b>	2×
Communication rate	10 / 100 Mbps
Galvanic separation	Yes
Galvanic separation strength	1000 V AC / 1 minute *)
Connection point	M12 connector according to IEC 61375-3-4 ed. 1
<b>Power supply voltage</b>	16.8 V to 33.6 V DC
Maximum power consumption	0.25 A at 24 V DC
Peak inrush current	50 A < 200 μs
Connection point	Connector WAGO 769-663/003-000
<b>Others</b>	
Ingress protection rate	IP20
Operating temperature	-40 °C to 70 °C
Storage temperature	-40 °C to 70 °C
Maximum ambient humidity	< 95 % non-condensing
Mounting	DIN bar
Weight	0.8 kg
Dimensions (w × h × d)	(52 × 192 × 124) mm

\*) Insulation must not be used for dangerous voltage separation.

## ORDERING INFORMATION

<b>RDE2-A/101</b>	Analogue inputs unit, WAGO connector counterpart, Certificate of product quality and completeness, Routine testing protocol, Insulation testing protocol
-------------------	--

**RECOMMENDED DRAWING SYMBOL**



**CONNECTORS SPECIFICATION**

Connector	Meaning
X1, X2	Ethernet
X3	Analogue inputs
X4	Power supply

**MEANING OF X4 CONNECTOR TERMINALS**

PIN	Signal	Meaning of signal RRE2-A/101
1	PE	Unit chassis
2	GND	Power supply, GND
3	Vcc	Power supply, +24 V DC

**MEANING OF X3 CONNECTOR TERMINALS**

PIN	Signal	Meaning of signal RRE2-A/101
1, 3, 5, 7, 10, 12, 14	NC	Not connected
2	AGND1	Analogue input 1 ground
4	AGND2	Analogue input 2 ground
6	AGND3	Analogue input 3 ground
8	AGND4	Analogue input 4 ground
9	AIN1	Analogue input 1
11	AIN2	Analogue input 2
13	AIN3	Analogue input 3
15	AIN4	Analogue input 4

**MECHANICAL DIMENSIONS**

