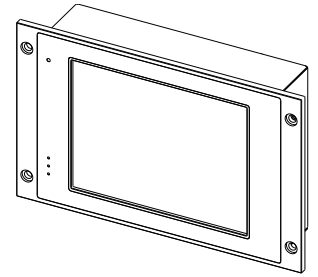


AWBDA0LK4AK0NA

Panel computer

- Intel® Atom™ 1.46 GHz, Single Core, 2 GB RAM
- TFT 10.4" display, (1024 × 768) pixels
- Resistive touchscreen
- Ethernet, audio
- WiFi, GPS, GPRS/LTE
- Designed in accordance with EN 50155



TECHNICAL DATA

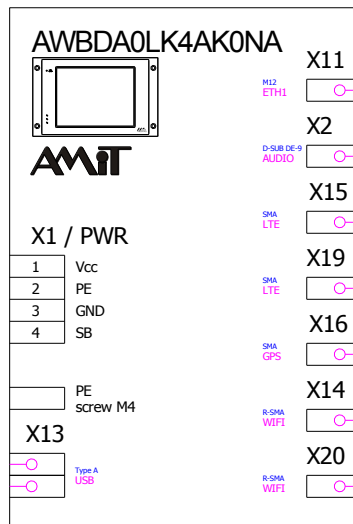
| | |
|---|--|
| CPU | Intel ATOM E3815 Single-Core, 1.46 GHz 2 GB RAM DDR3, 4 GB FLASH |
| RTC Backup | Lithium battery BR2477, Panasonic |
| Operating system | Without OS |
| Display | TFT 10.4", 1024 × 768, 16.7M colours |
| Brightness, contrast | Typically 500 cd/m ² , typically 1200:1 |
| View angle | Typically 176° horizontally, 176° vertically |
| Backlight / lifetime | LED / 50 000 hours *) |
| Touch screen | Resistive touch panel |
| Peripherals | |
| USB | 2 × USB 2.0 type A |
| Ethernet | 1 × 100 Mbps / M12-4pin D-coded Harting PushPull |
| WiFi | 1 × 802.11ac, 2×2 MIMO, 2 × connector RSMA |
| GPS | 1 × GPS, connector SMA |
| GPRS/LTE | 1 × GPRS/LTE modem, 2 × connector SMA |
| Audio | 1 × stereo audio output 1.1W, connector D-sub DE-9 |
| Light sensor | 1 × ambient light measurement |
| Power supply | |
| Power supply voltage | 16.8 V to 50.4 V DC |
| Power connector | WAGO 769-104/021-000 |
| Miscellaneous | |
| Mounting | Into wall or dashboard |
| Colour – Front panel – Foil – Back cover | Black fine matte RAL9005 Grey RAL7016 Black smooth matte RAL9005 |
| Cover protection rate – Front panel / back cover | IP65 / IP20 |
| Operation temperature range | -30 °C to 70 °C |
| Storage temperature range | -30 °C to 70 °C |
| Max. ambient humidity | < 95 %, non-condensing |
| Weight | 4.58 kg ± 5% |
| Dimensions (w × h × d) | (345 × 217 × 95) mm without mate connectors |

*) Luminance drop to 50 %.

ORDERING INFORMATION

| | |
|-----------------------|---|
| AWBDA0LK4AK0NA | Vehicle Computer, Certificate of product quality and completeness, Routine test protocol, Insulation test protocol, power supply mate connector |
|-----------------------|---|

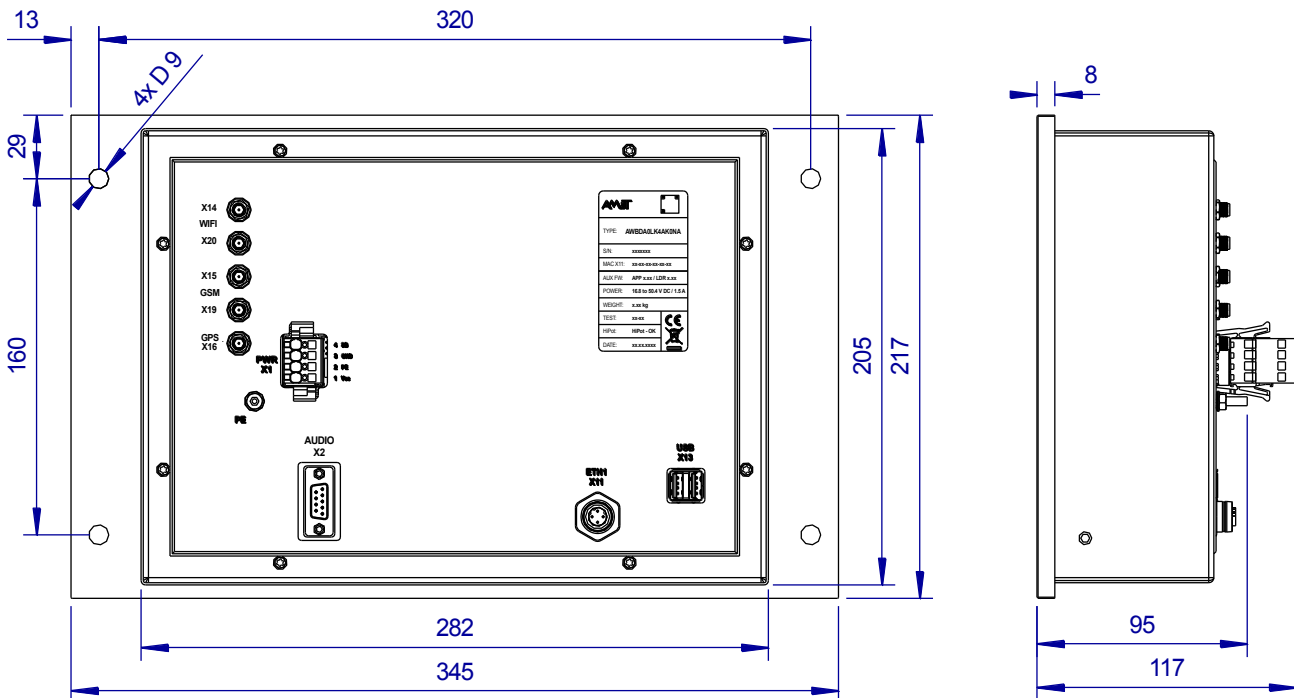
RECOMMENDED DRAWING SYMBOL



POWER SUPPLY ASSIGNMENT

| PIN | Signal | Description |
|-----|--------|-------------------------|
| 1 | Vcc | Power supply |
| 2 | PE | Computer chassis |
| 3 | GND | Power supply, GND |
| 4 | SB | Turning the computer ON |

CONNECTOR LOCATION AND DIMENSIONS



Data provided in this datasheet is tentative. Detailed information can be found in operational guide (file: [awbda0lk4ak0na_g_en_XXX.pdf](#)).